

2100, 2101, 2102, 2103 Vanity

BATH & VANITY FIXTURE ASSEMBLY & INSTALLATION INSTRUCTIONS

Please read carefully and save these instructions, as you may need them at a later date.

CAUTION

Turn off the main power at the circuit breaker before installing the fixture, in order to prevent possible shock.

GENERAL

All electrical connections must be in accordance with local and National Electrical Code (N.E.C.) standards. If you are unfamiliar with proper electrical wiring connections obtain the services of a qualified electrician.

Remove the fixture and the mounting package from the box and make sure that no parts are missing by referencing the illustrations on the installation instructions.

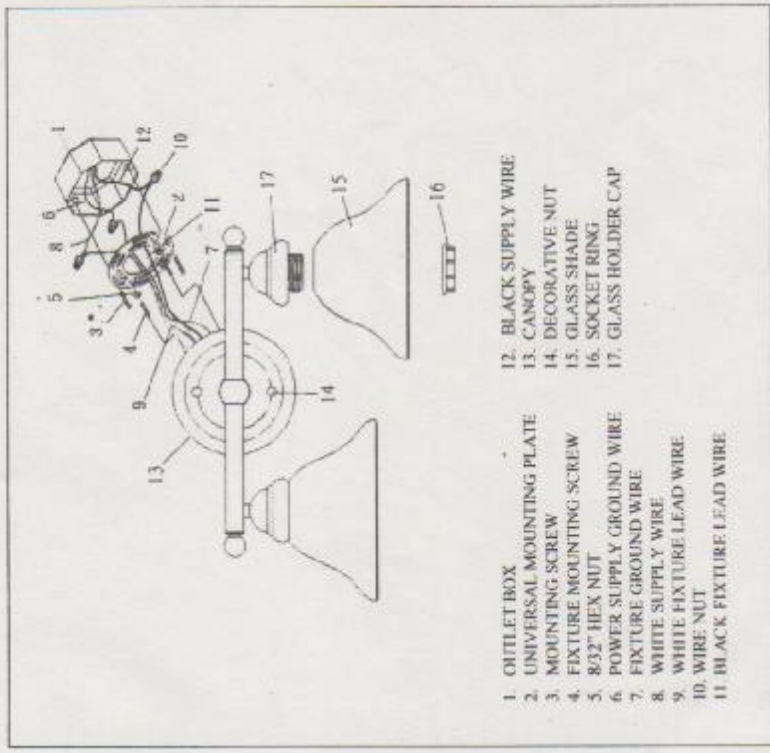
ASSEMBLY AND INSTALLATION

1. Place the #8-32 HEX NUTS(5) onto the FIXTURE MOUNTING SCREWS(4) and attach the FIXTURE MOUNTING SCREWS(4) to the UNIVERSAL MOUNTING PLATE(2). Do not tighten the #32 HEX NUTS(5) at this time.
2. Pull the power supply wire out from the OUTLET BOX(1), and mount the UNIVERSAL MOUNTING PLATE(2) to the OUTLET BOX(1) using MOUNTING SCREWS(3).
3. Place the CANOPY (13) of the fixture over the OUTLET BOX (1), and onto the FIXTURE MOUNTING SCREW (4), and adjust the FIXTURE MOUNTING SCREW (4) until it protrudes out from the CANOPY (13) 1/4". Remove the CANOPY (13), and secure the position of the FIXTURE MOUNTING SCREW (4) by tightening the #32 HEX NUT (5) against the UNIVERSAL MOUNTING PLATE (2).
4. Attach the supply wires to the fixture lead wire by connecting BLACK FIXTURE LEAD WIRE(11) to BLACK SUPPLY WIRE(12), and WHITE FIXTURE LEAD WIRE (9) to WHITE SUPPLY WIRE(8). Connect the POWER SUPPLY GROUND WIRE (6) to the FIXTURE GROUND WIRE (7) using a WIRE NUT (10).
5. Place the CANOPY (13) back onto the FIXTURE MOUNTING SCREWS(4), and secure into place by using the DECORATIVE NUTS (14) provided.

ASSEMBLY AND INSTALLATION (Continued)

6. Slide the GLASS SHADE(15) over the threaded socket, and inside the GLASS HOLDER CAP(17). Screw the SOCKET RING(16) onto the threaded socket until the glass shade is tight.
7. Screw light bulbs into the threaded sockets and make sure they do not exceed the maximum wattage specified on the fixture's wattage rating label.

INSTALLATION IS NOW COMPLETED



- | | |
|-----------------------------|-----------------------|
| 1. OUTLET BOX | 12. BLACK SUPPLY WIRE |
| 2. UNIVERSAL MOUNTING PLATE | 13. CANOPY |
| 3. MOUNTING SCREW | 14. DECORATIVE NUT |
| 4. FIXTURE MOUNTING SCREW | 15. GLASS SHADE |
| 5. #32" HEX NUT | 16. SOCKET RING |
| 6. POWER SUPPLY GROUND WIRE | 17. GLASS HOLDER CAP |
| 7. FIXTURE GROUND WIRE | |
| 8. WHITE SUPPLY WIRE | |
| 9. WHITE FIXTURE LEAD WIRE | |
| 10. WIRE NUT | |
| 11. BLACK FIXTURE LEAD WIRE | |