



**Sinks**

# VCS 72T

CUBE COLLECTION

**Design** Wetstyle Design Lab

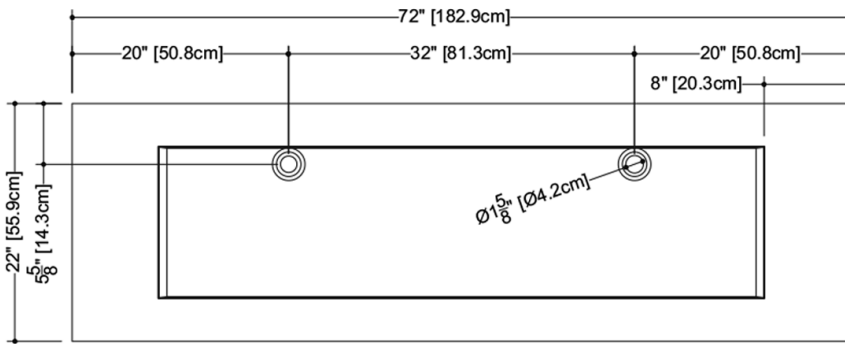


## FEATURES

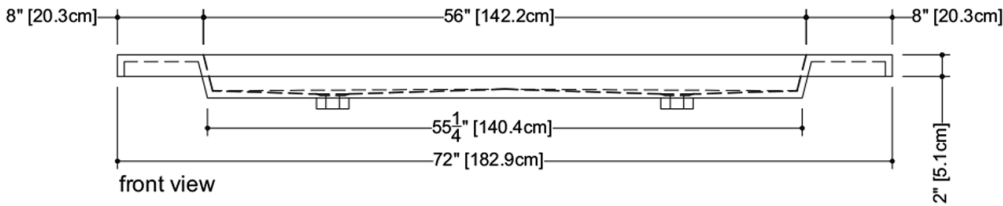
Handcrafted in Montreal, Canada  
 Oak bridge wenge shade included  
 Installation type: above-counter  
 Available with or without overflow  
 Overflow trim finish options: polished chrome, brushed nickel, matte black, satin brass or no metallic trim  
 Faucet hole options: 1 hole (for mono faucet), 3 holes (for widespread faucet) or no hole (for wall-mounted faucet)

## TECHNICAL DETAILS

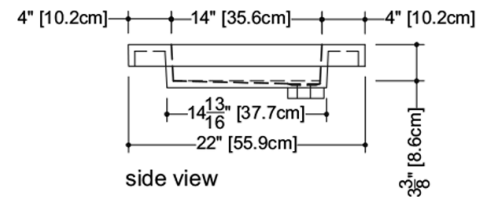
- **Width:** 22"
- **Length:** 72"
- **Height:** 2"
- **Weight:** 75 lbs / 34 kg



plan view



front view



side view

### VCS 72T

WETSTYLE cannot be held responsible for any technical errors and reserves the right to make revisions without notice. Approximate measurement. The manufacturer accepts 1/4" (6.35mm) variance.

## OPTIONS

### Model

- VCS72T

### Overflow

- No Overflow
- With Overflow - Brushed Nickel (#BN)
- With Overflow - Matte Black (#MB)
- With Overflow - No Trim (#NT)
- With Overflow - Polished Chrome (#PC)
- With Overflow - Satin Brass (#SB)

### WETMAR BiO Finish

- White Matte (#MA)
- White True High Gloss (#GA)

### Faucet Hole Drilling

- No Faucet Hole
- One Hole per Drain for Mono Faucets (#1)
- Three Holes per Drain for Widespread Faucets (#8)

## CODES/STANDARDS APPLICABLES

IAPMO-ANSI Z124.1

IAPMO-ANSI Z124.3

CSA B 45.0

CSA B 45.4

Mass Board Approved

## NOTES

**WOOD BRIDGE:** Oak bridge wenge shade; other shades can be ordered at an additional cost.