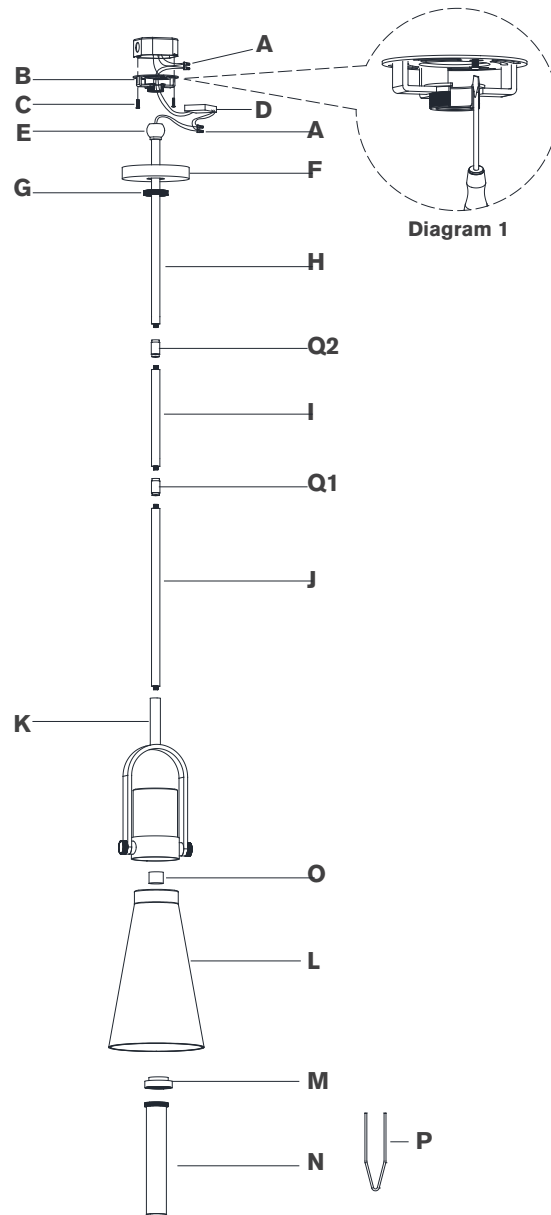


## ASSEMBLY INSTRUCTIONS



## Larkin 5.5" Conical Pendant

Item # IKF5453

### NOTICE:

This light fixture should be installed in accordance with all applicable, local installation codes, and by a person familiar with the construction and operation of it, as well as the hazards involved. Inspect item and contents carefully. If any damage or defect is found, do not install. Retain all packaging material until installation is complete and approved.

### TOOLS REQUIRED (NOT INCLUDED):

Phillips Screwdriver      Slotted Screwdriver      Wire Strippers  
Wire Cutters

1. Carefully remove all parts from the box. Place on a clean, soft surface.
2. Remove canopy (F) from mounting plate (B) by removing collar ring (G).
3. Install mounting plate (B) to the junction box and secure with mounting screws (C).
4. Connect supply ground wire (usually green or bare copper) around the green grounding screw (see diagram 1). Tighten.

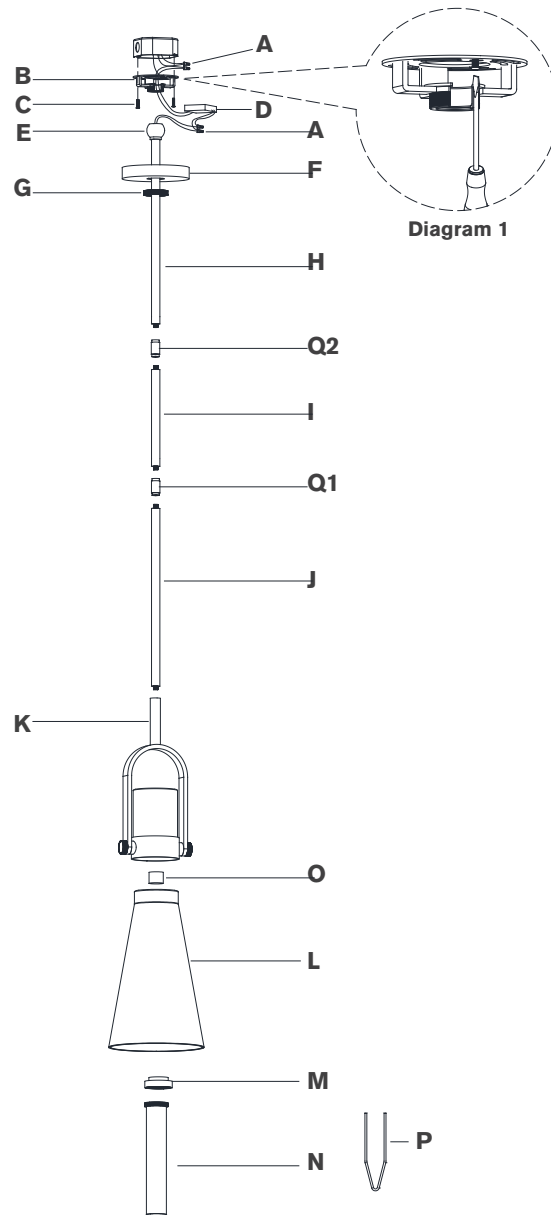
**NOTE:** It is imperative that the fixture is grounded.

5. Feed fixture wires through rod (J), then connect to fixture (K) and secure with coupling (Q1). Repeat for rod (I), connecting to coupling (Q1) and secure with coupling (Q2).
6. Continue feeding fixture wires through rod (H), collar ring (G) and canopy (F).
7. Holding fixture upright, slide collar ring (G), canopy (F) down rods and rest on top of fixture (K). Then connect rod (H) to coupling (Q2), securing with swivel ball (E).

**NOTE:** Slide components down slowly to avoid damages.

8. Hang fixture swivel ball (E) to center of mounting plate (B).
9. Cut excess wire, being sure to leave enough to reach the junction box. Separate wires, and strip insulation on each 5/8".
10. Connect driver input neutral wire (white) to the supply neutral wire (usually white) using wire nut (A).

## ASSEMBLY INSTRUCTIONS



## Larkin 5.5" Conical Pendant

Item # IKF5453

### NOTICE:

This light fixture should be installed in accordance with all applicable, local installation codes, and by a person familiar with the construction and operation of it, as well as the hazards involved. Inspect item and contents carefully. If any damage or defect is found, do not install. Retain all packaging material until installation is complete and approved.

11. Connect driver input hot wire (black) to the supply hot wire (usually black) using wire nut (A).  
**CAUTION:** Do not reverse the hot and neutral connections.
12. Connect fixture neutral wire (black) to driver output wire (black) using wire nut (A).
13. Connect fixture hot wire (red) to driver output wire (red) using wire nut (A).  
**CAUTION:** Do not reverse the hot and neutral connections.
14. Make sure all wire connections are tight, then carefully tuck into the junction box.
15. Insert driver (D) into mounting plate bracket.
16. Install canopy (F) to mounting plate (B) and secure with collar ring (G).
17. Remove protective cap (O) from light source, then install glass shade (L) to bottom of fixture and secure with socket ring (M) using provided wrench (P).
18. Thread glass shade (N) to socket ring (M).  
**NOTE:** Do not over-tighten otherwise shade could become damaged.

**Care Instructions:** Clean only with a soft dry cloth or feather duster. Do not use abrasive or chemical agents.