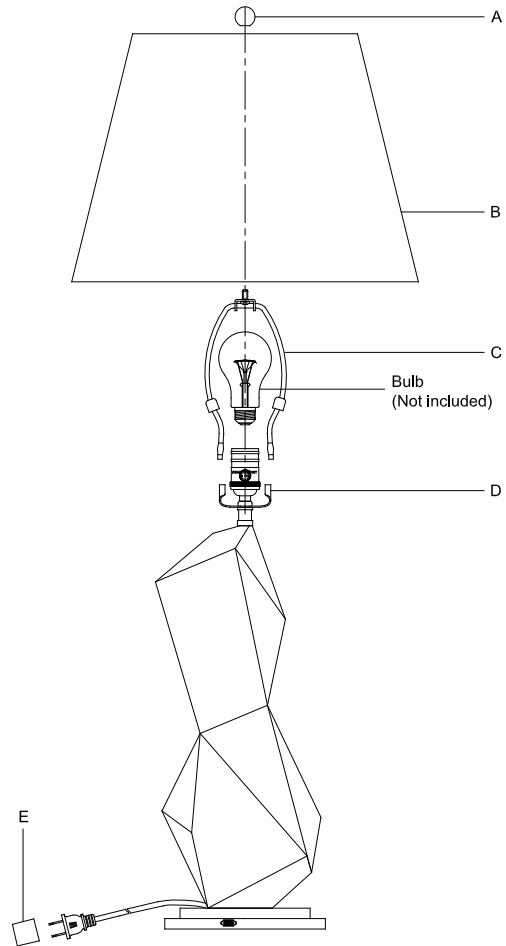


ASSEMBLY INSTRUCTIONS

Bayliss Table Lamp Item # KW3046

INSPECT ITEM CAREFULLY BEFORE ATTEMPTING TO INSTALL. IF THERE IS ANY DAMAGE OR OBVIOUS DEFECT. DO NOT INSTALL.
ITEM MAY NOT BE RETURNED ONCE IT HAS BEEN INSTALLED.



1. Carefully remove all parts from the box.
2. Install harp (C) onto the saddle (D).
3. Place shade (B) to the harp (C) and secure with finial (A).
4. Insert bulb (not included) into the socket.
5. Remove protective plug cover (E) from the plug.
6. Plug into a proper electrical outlet and test the fixture.
7. Installation is complete.

***Clean with a dry, soft cloth only. Do not use harsh abrasives or chemical agents.

