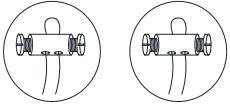
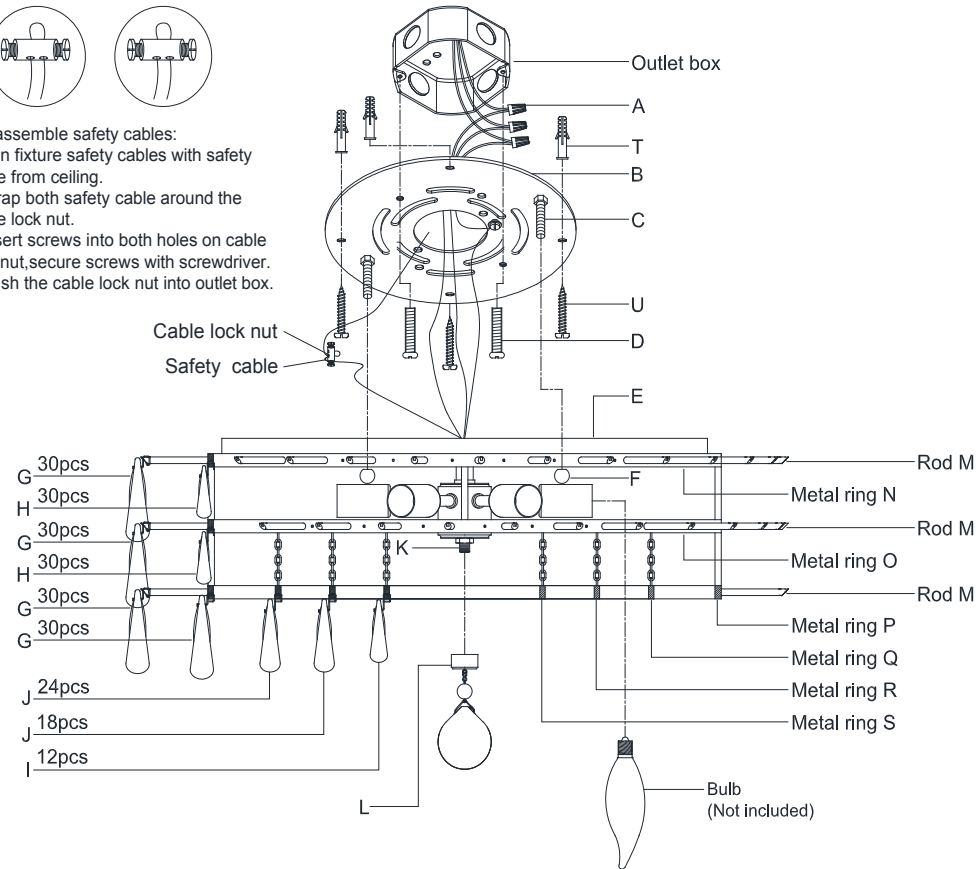


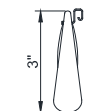



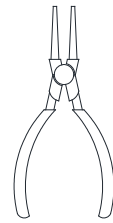
## ASSEMBLY INSTRUCTIONS



TO assemble safety cables:

1. Join fixture safety cables with safety cable from ceiling.
2. Wrap both safety cable around the cable lock nut.
3. Insert screws into both holes on cable lock nut, secure screws with screwdriver.
4. Push the cable lock nut into outlet box.



 3"	 1.875"	 2.25"	 2.625"	
CRYSTAL G 120PCS	CRYSTAL H 60PCS	CRYSTAL I 12PCS	CRYSTAL J 42PCS	PLIERS

## Liscia Large Flush Mount

Item # ARN 4172

WE RECOMMEND INSTALLATION OF THIS LIGHTING FIXTURE BE DONE BY A LICENSED ELECTRICIAN.

**WARNING\*\*\*SWITCH OFF THE MAIN ELECTRICAL SUPPLY FROM THE MAIN FUSE BOX/CIRCUIT BREAKER BEFORE INSTALLATION.**

**INSPECT ITEM CAREFULLY BEFORE ATTEMPTING TO INSTALL. IF THERE IS ANY DAMAGE OR OBVIOUS DEFECT. DO NOT INSTALL.**

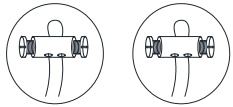
**ITEM MAY NOT BE RETURNED ONCE IT HAS BEEN INSTALLED.**

**NOTE: CAREFULLY UNPACK EACH PIECE IN TOP LAYER OF PACKING PRIOR TO REMOVING. RETAIN ALL PACKING MATERIAL UNTIL INSPECTION AND INSTALLATION ARE FINAL.**

1. Carefully remove all parts from the box.
2. Remove the mounting plate (B) from the canopy (E) by loosening the ball nuts (F).
3. Put the mounting plate (B) on the wall and mark the holes position with pencil.
4. Drill 4 holes on the wall and knock the anchors (T) into the holes.
5. Affix mounting plate (B) onto the outlet box and secure with mounting screws (D), then secure the wood screws (U) to the anchors (T) and lock tight.
6. Connect ground wire from the fixture (bare copper) to ground wire from the outlet box (usually green or copper in color) using wire nut (A).  
IT IS IMPERATIVE THAT THIS FIXTURE BE GROUNDED.
7. Connect the Neutral wire (WHITE) from the fixture to the neutral wire (White) from the outlet box using wire nut (A).
8. Connect the Hot wire (BLACK) from the fixture to the hot wire (Black) from the outlet box using wire nut (A).  
DO NOT REVERSE THE HOT AND NEUTRAL CONNECTIONS OR SAFETY WILL BE COMPROMISED.
9. Attach the canopy (E) onto the mounting plate (B), let screws (C) pass through the holes on the canopy (E), then secure with ball nuts (F).
10. Insert bulbs (not included) into the sockets.

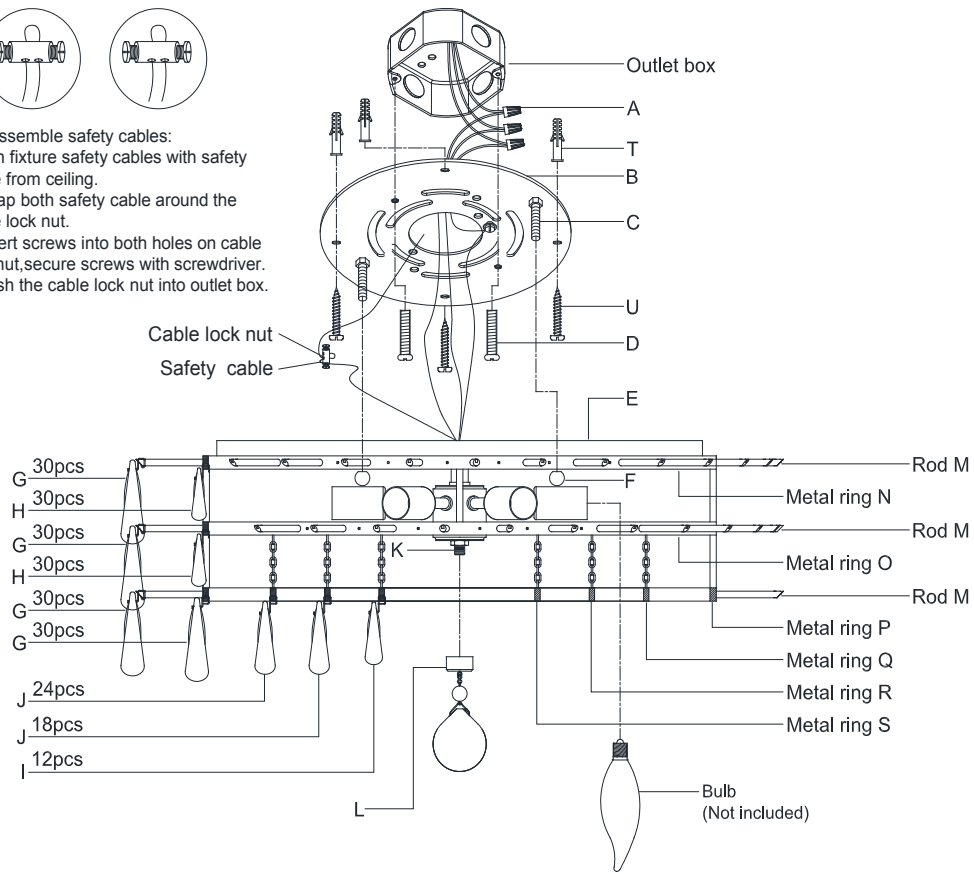


# ASSEMBLY INSTRUCTIONS



TO assemble safety cables:

1. Join fixture safety cables with safety cable from ceiling.
2. Wrap both safety cable around the cable lock nut.
3. Insert screws into both holes on cable lock nut, secure screws with screwdriver.
4. Push the cable lock nut into outlet box.



CRYSTAL G 120PCS	CRYSTAL H 60PCS	CRYSTAL I 12PCS	CRYSTAL J 42PCS	PLIERS

## Liscia Large Flush Mount

Item # ARN 4172

WE RECOMMEND INSTALLATION OF THIS LIGHTING FIXTURE BE DONE BY A LICENSED ELECTRICIAN.

**WARNING\*\*\*SWITCH OFF THE MAIN ELECTRICAL SUPPLY FROM THE MAIN FUSE BOX/CIRCUIT BREAKER BEFORE INSTALLATION.**

**INSPECT ITEM CAREFULLY BEFORE ATTEMPTING TO INSTALL. IF THERE IS ANY DAMAGE OR OBVIOUS DEFECT. DO NOT INSTALL.**

**ITEM MAY NOT BE RETURNED ONCE IT HAS BEEN INSTALLED.**

**NOTE: CAREFULLY UNPACK EACH PIECE IN TOP LAYER OF PACKING PRIOR TO REMOVING. RETAIN ALL PACKING MATERIAL UNTIL INSPECTION AND INSTALLATION ARE FINAL.**

11. Insert bulbs (not included) into the sockets.
12. Hang the crystal (I) onto the metal ring (S).
13. Hang the crystal (J) onto the metal ring (Q & R).
14. Hang the crystal (H) onto the metal ring (N & O).
15. Hang the crystal (G) onto the rod (M) and metal ring (P), then secure by using the pliers.
16. Thread the finial (L) to the nipple (K).
17. Installation is complete, turn on power at fuse or circuit breaker.

\*\*\*Clean with a dry, soft cloth only. Use no harsh abrasives or chemical agents.

