

FEATURES

- WaterSense® certified high-efficiency
1.75 gpm (6.6 lpm)
- 4-1/16" Multi-function spray with rinse and
massage sprays
- Easy to clean rubber nozzles to reduce scale
buildup
- Meets 2018 California water efficiency appliance
CEC regulations
- Shower hose sold separately

COLORS/FINISHES

#CP Polished Chrome

CODES/STANDARDS

- Meets or exceeds ASME A112.18.1/CSA B125.1
- Certifications: IAPMO(cUPC), EPA WaterSense,
State of Massachusetts and others
- Code Compliance: UPC, IPC, NSPC, NPC Canada,
DoE, and others
- Complies with CA Prop 65 warning requirements



PRODUCT SPECIFICATION

Product shall be TOTO Model TBW01020U4#____.
Product shall have maximum flow rate of 1.75 gpm
(6.6 lpm). Product shall have multi-function spray with
rinse and massage sprays. Product shall have rubber
nozzles to prevent limescale build-up. Product shall
meet 2018 California water efficiency appliance CEC
regulations. Product shower hose sold separately.

TBW01020U4

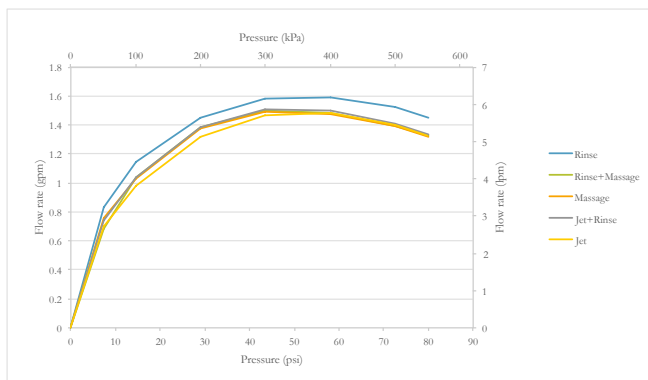
Modern Handshower 5 Mode

SPECIFICATIONS

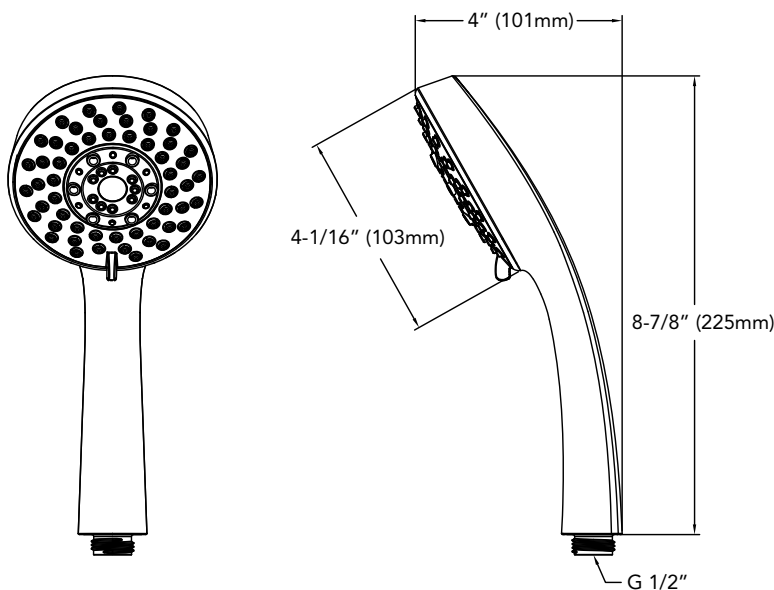
Material	ABS & POM
Maximum Flow Rate	1.75 gpm (6.6 lpm)
Warranty	Limited Lifetime for Residential Use One Year for Commercial Use
Shipping Weight	1.05 lbs.
Shipping Dimensions	9" L x 7-1/2"W x 5-5/8"H

INSTALLATION NOTES

For use with TS101W60: Shower hose (Sold separately)



DIMENSIONS



TOTO