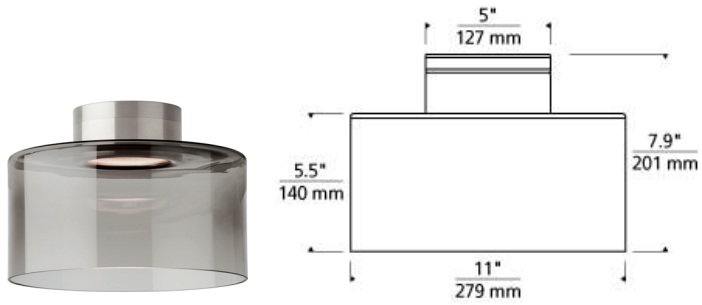


FLUSH & SEMI-FLUSH MOUNT

Manette Large Flush Mount LED T20

DESCRIPTION

The Manette flush mount features a sleek glass shade that's suspended from a handsome die-cast metal band, cleverly hiding the LED light source, just below the ceiling. This light is beautifully illuminated by the cylinder shaped shade providing an even glow, free of hot spots. The Manette flush mount is available in four contemporary color options, Clear, White, Smoke and Transparent Smoke, and comes finished in sleek Satin Nickel. Available in two distinct sizes, small and large, the Manette flush mount is ideal for hallway lighting, bathroom lighting and closet lighting. Your choice of efficient integrated LED lamping ships with the Manette ceiling fixture saving you time and money, both lamping options are fully dimmable to create the desired ambiance in your special space. The shade illuminates with an even glow free of hot spots found with traditional light sources. Includes 15 watt, 917.7 delivered lumen, 80 CRI 3000K LED module. Dimmable with most LED compatible ELV or Triac dimmers. Ceiling mount only.



transparent smoke

INSTALLATION

This product can mount to either a 4" square electrical box with round plaster ring or an octagonal electrical box (not included).

WEIGHT

6-6.5lb / 2.72-2.95kg ±



gloss white transparent smoke

ORDERING INFORMATION

| 700FMMAN | SHAPE OR SIZE | COLOR | FINISH | LAMP |
|----------|---------------|--|-----------------------|---|
| L | LARGE | WH GLOSS WHITE TK TRANSPARENT SMOKE | S SATIN NICKEL | -LED LED 80 CRI 3000K 120V -LED277 LED 80 CRI 3000K 277V |



TECH LIGHTING®

7400 Linder Avenue T 847.410.4400
Skokie, Illinois 60077 F 847.410.4500

Tech Lighting, L.L.C.

700FMMAN _____

FIXTURE TYPE: _____

JOB NAME: _____

NOTES: _____



©2019 Tech Lighting, L.L.C. All Rights Reserved. The "Tech Lighting" graphic is a registered trademark of Tech Lighting, L.L.C. Tech Lighting reserves the right to change specifications for product improvements without notification.