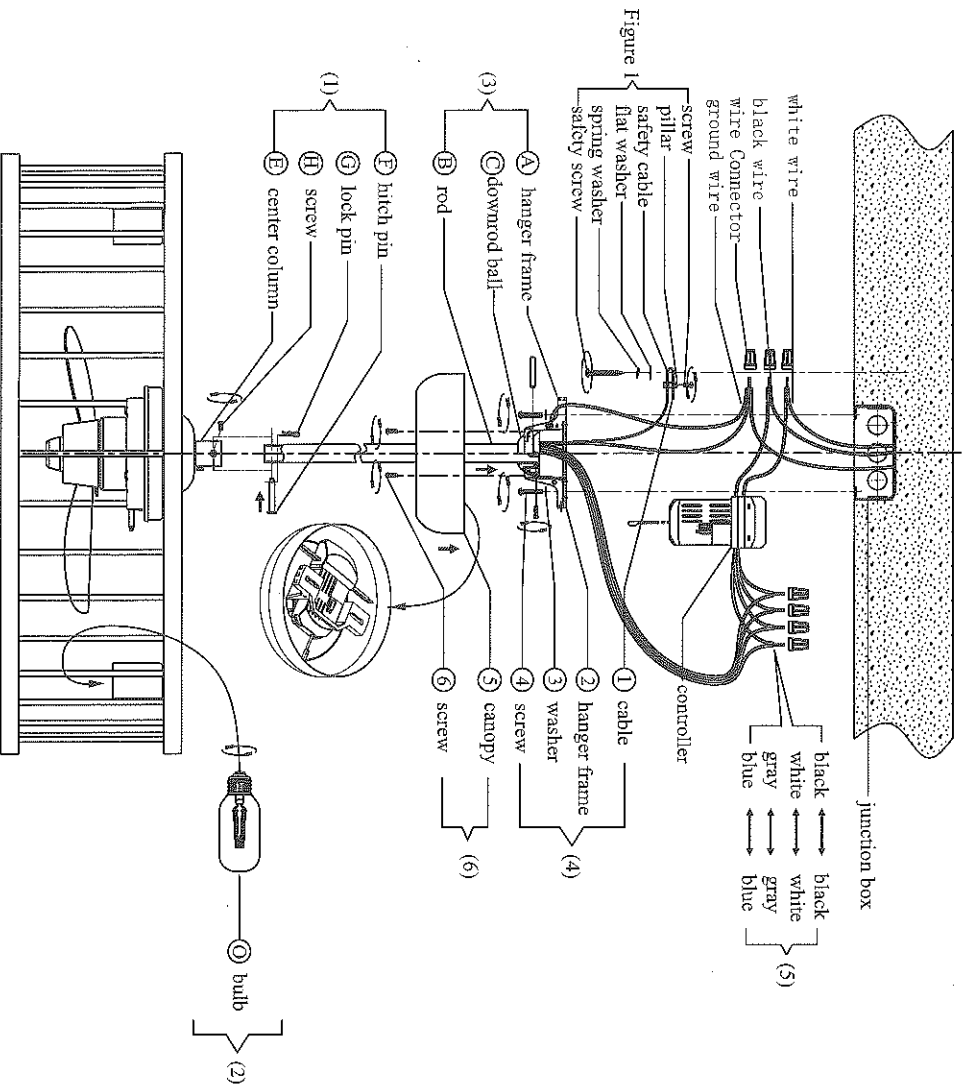




Caution - The max wattage for this fan is 300w. Lamps exceeding this wattage could damage the control and receiver.



CEILING FAN PRIMARY FUNCTION - IONIZER SECONDARY FUNCTION READ AND SAVE THESE INSTRUCTIONS

CAUTION:

1. Be certain that no bare wire strands are exposed outside of the wire connectors
2. Disconnect power at main circuit breaker to prevent possible injury from electrical shock.
3. To reduce the risk of fire, electric shock, or personal injury, mount to outlet box marked and use mounting screws provided with the outlet box.
4. Warning - to reduce the risk of electric shock, this fan must be installed with an isolating wall control/switch
5. Warning - to reduce the risk of fire, electric shock, or personal injury, mount to outlet box marked acceptable for fan support of 22.7 kg or less, and use mounting screws provided with the outlet box

ASSEMBLY & INSTALLATION INSTRUCTIONS

Notice:

1. This product contains chemicals known to the state of California to cause cancer, birth defects and / or other reproductive harm. Thoroughly wash hands after installing, handling, cleaning, or otherwise touching this product.
2. Before using this product and doing maintenance, please read these instructions carefully and save them for future use.
3. This product is suitable for use with solid-state speed controls
4. The installation is to be in accordance with the national electrical code, ANSI/NFPA 70 and local codes.
5. After being wired, the ungrounded wire and grounded/grounding wire must be separated in two side of the outlet box
6. The splices, after being made, should be turned upward and pushed carefully up into the outlet box.
7. The remote controller is suitable for ceiling fan use.
8. This unit is packed completely for ceiling fan use.

Disconnect the power before installation.

Use and Installation:

Remove all fixture components and the parts bag from the carton.

- 1: Pass fixture, safety cable (1) and canopy (5) through the rod (B), place the rod into the center column (E), align the holes at the bottom of the rod with the center column and carefully insert hitch pin (F) through, then insert the lock pin (G) through the holes near the end of the hitch pin. Tighten the screws (H) with provided tool.
- 2: screw the bulb (2) into socket.
- 3: Secure the hanger bracket (A) to the junction box with the screws (4) and washers (3), then place the downward ball (C) into the hanger bracket.
- 4: An additional safety support is provided to prevent the fan from falling. Secure the safety cable to the ceiling joist with screw and washer, as illustrated in Figure 1.
- 5: Connect main power wire from junction box with the wires of the controller, black with black, white with white and attach fixture ground wire and ground wire from outlet box with wire nut. Connect the output wires from controller and fixture wires with wire connector, colors: black with black, white with white, grey with grey, blue with blue.
- 6: Secure the canopy to hanger bracket with screws (6).



Manual of Fan Remote Controller

This unit is mainly for fan and its lighting function, but the ionizer is an additional function. This product has an FCC ID certificate. Adopted frequency: 304MHz. Please turn off the power first, then refer to the manual for installation instruction.

1. Setting up the remote

The wireless control is designed to operate both the light and speed of the fan. The remote uses a 9V battery. Remove the remote's back cover and insert the battery. Please make sure the battery is inserted in the right direction or the remote may not function. Remove the battery from the remote if you do not plan to use the remote for a long time.

The code for the controller and remote must be the same. You can manually adjust the code as seen below.

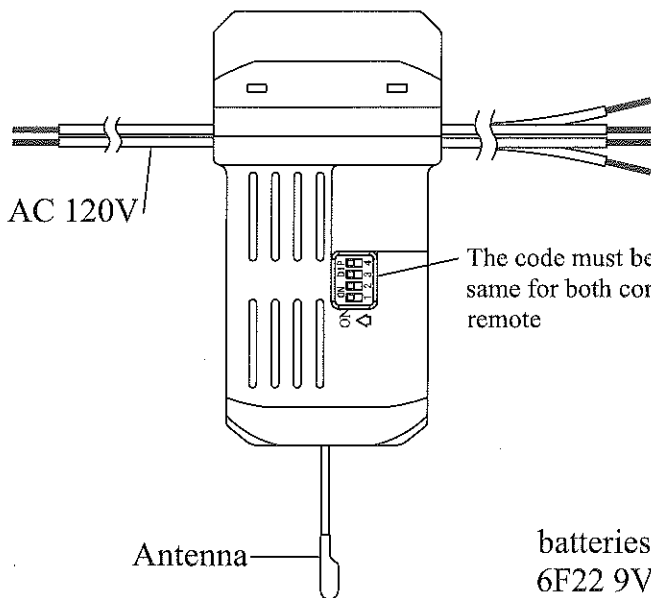


Fig.1 Controller

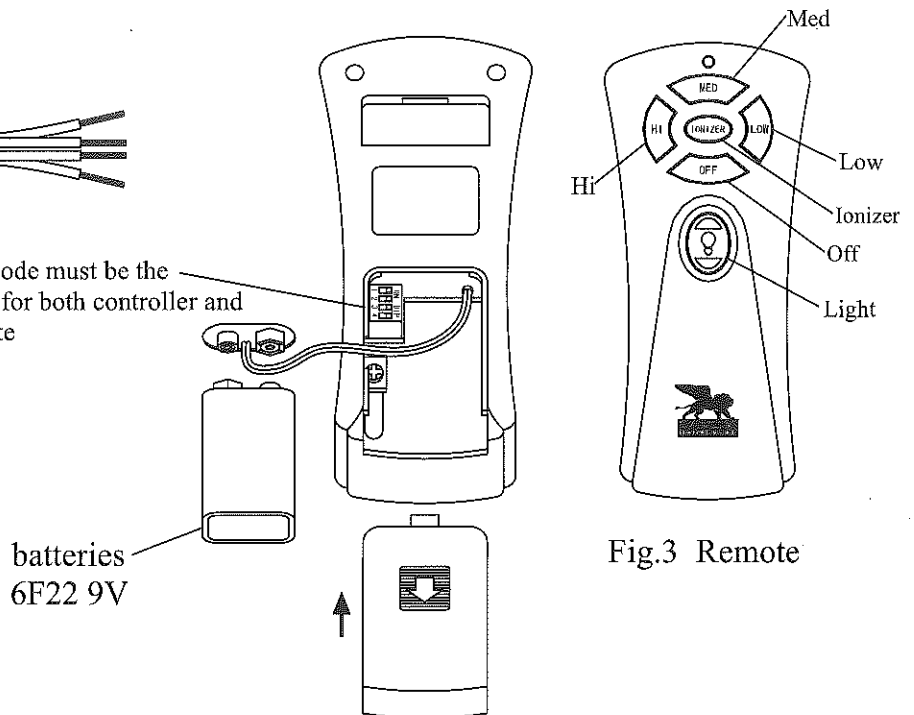


Fig.2 Inserting battery

2. Operating instructions

A. Turn on power and press (light) key on the remote to turn on the lights. Press the key again to turn off.

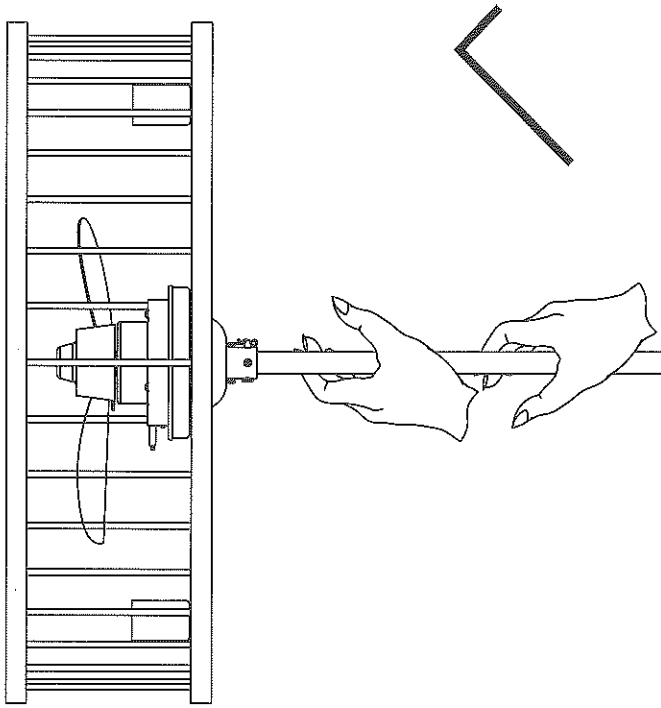


B. (Four speed buttons) These are the four keys for adjusting fan speed.



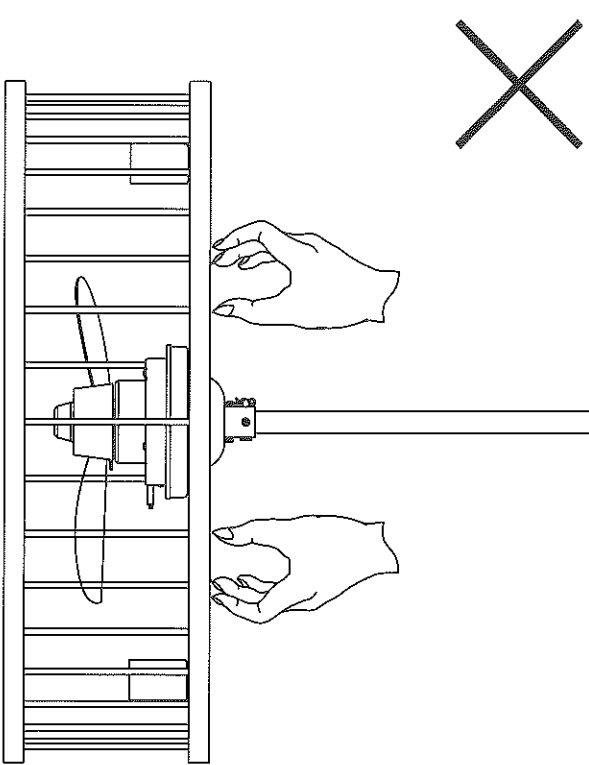
C. Press (Ionizer) to turn on the inducer and ionizer. Press it again to turn off this function.

1



The correct position for removing unit from carton

2



Wrong position - Do not lift from scroll arms