

# Fullton Wall

4164201, 4464202, 4464203, 4464204 | 1.0

## GENERATION LIGHTING WALL

### GENERAL PRODUCT INFORMATION:

These fixtures are intended to be installed utilizing NEC compliant junction boxes.

This product is safety listed for damp locations.

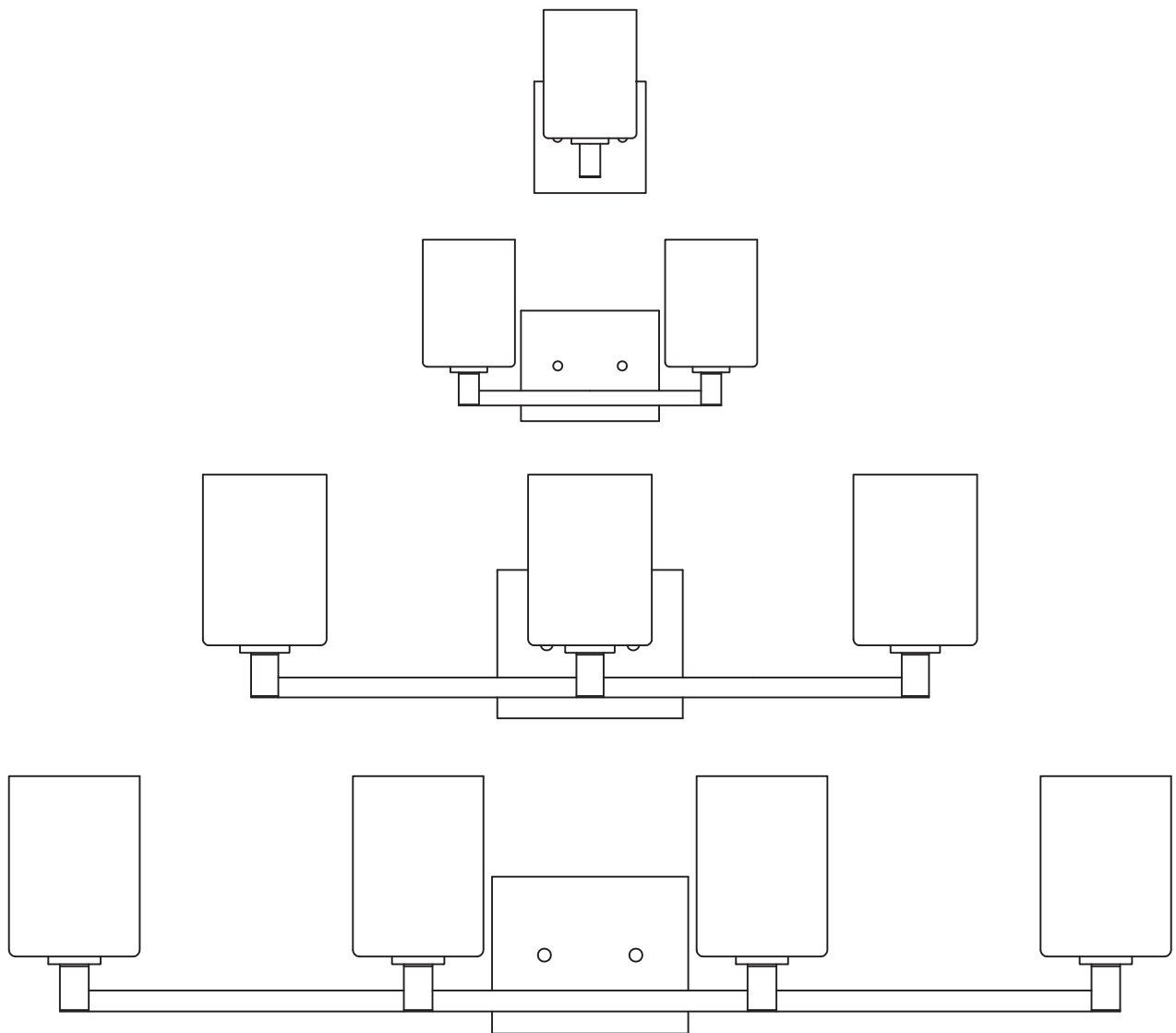
This instruction shows a typical installation.

### CAUTION - RISK OF FIRE

This product must be installed in accordance with the applicable installation code by a person familiar with the construction and operation of the product and the hazards involved.

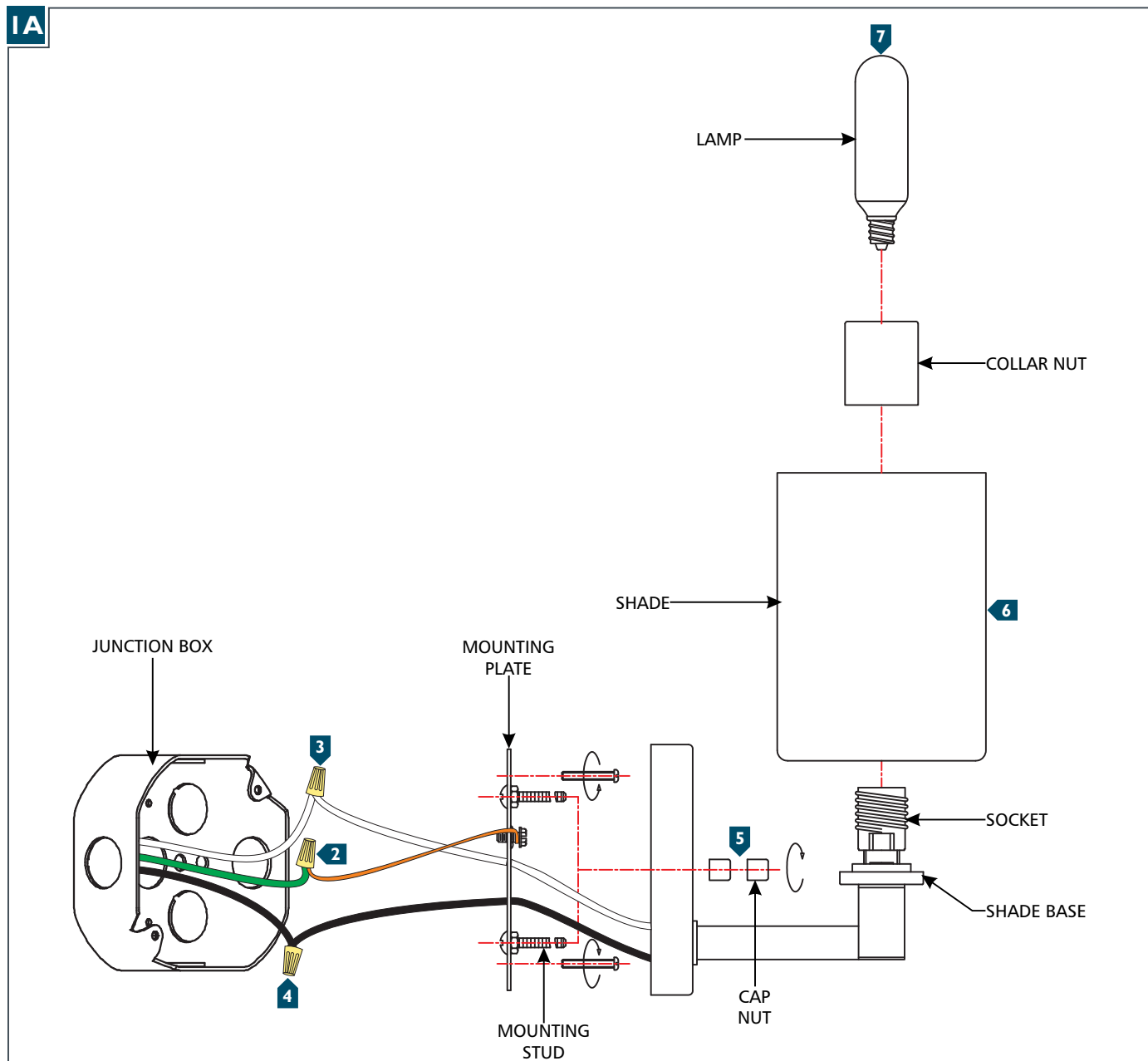
Use minimum 90°C supply conductors.

**SAVE THESE INSTRUCTIONS!**



GENERATION LIGHTING  
7400 Linder Ave., Skokie, IL 60077  
T 847.410.4400 | F 847.410.4500  
www.generationlighting.com

## Install the Fixture



- 1 Secure the mounting plate to the junction box or wall.
- 2 Connect the fixture to a suitable ground in accordance with local electrical codes.
- 3 Connect the white fixture wire to the neutral power line wire with a wire nut.
- 4 Connect the black fixture wire to the hot power line wire with a wire nut.
- 5 Neatly place the wires into the junction box, place the fixture onto the mounting studs, and secure it in place by screwing the cap nuts onto the studs.
- 6 Place the shade over the socket and onto the shade base, then secure it in place by screwing the collar nut onto the socket. Repeat for remaining shades.
- 7 Screw the lamp(s) into the socket(s). Refer to the label on the socket for Max Wattage Information.