

Baker Wall

4187201 | I.I

GENERATION LIGHTING WALL

GENERAL PRODUCT INFORMATION:

These fixtures are intended to be installed utilizing NEC compliant junction boxes.

This product is safety listed for damp locations.

Incandescent version may be dimmed with a standard incandescent dimmer. LED version may be dimmed with a LED dimmer. Consult lamp manufacturer for additional information.

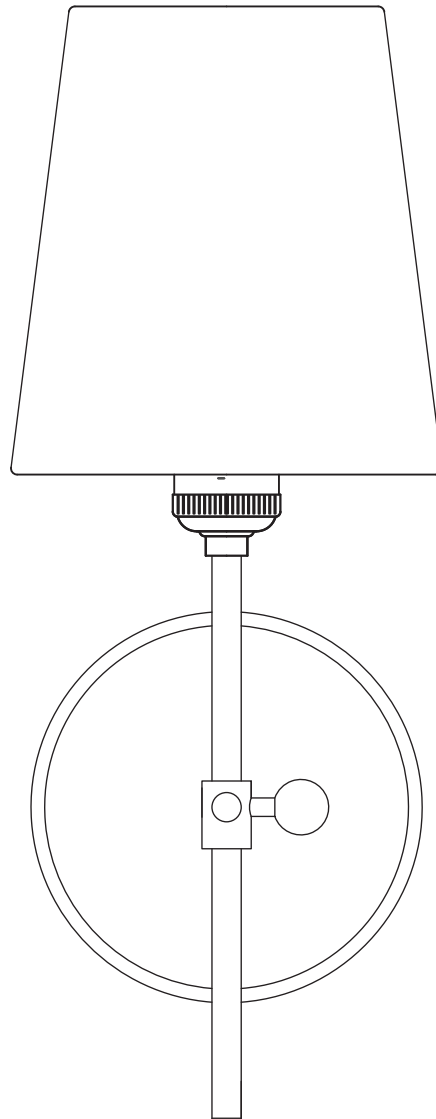
This instruction shows a typical installation.

SAVE THESE INSTRUCTIONS!

CAUTION - RISK OF FIRE

This product must be installed in accordance with the applicable installation code by a person familiar with the construction and operation of the product and the hazards involved.

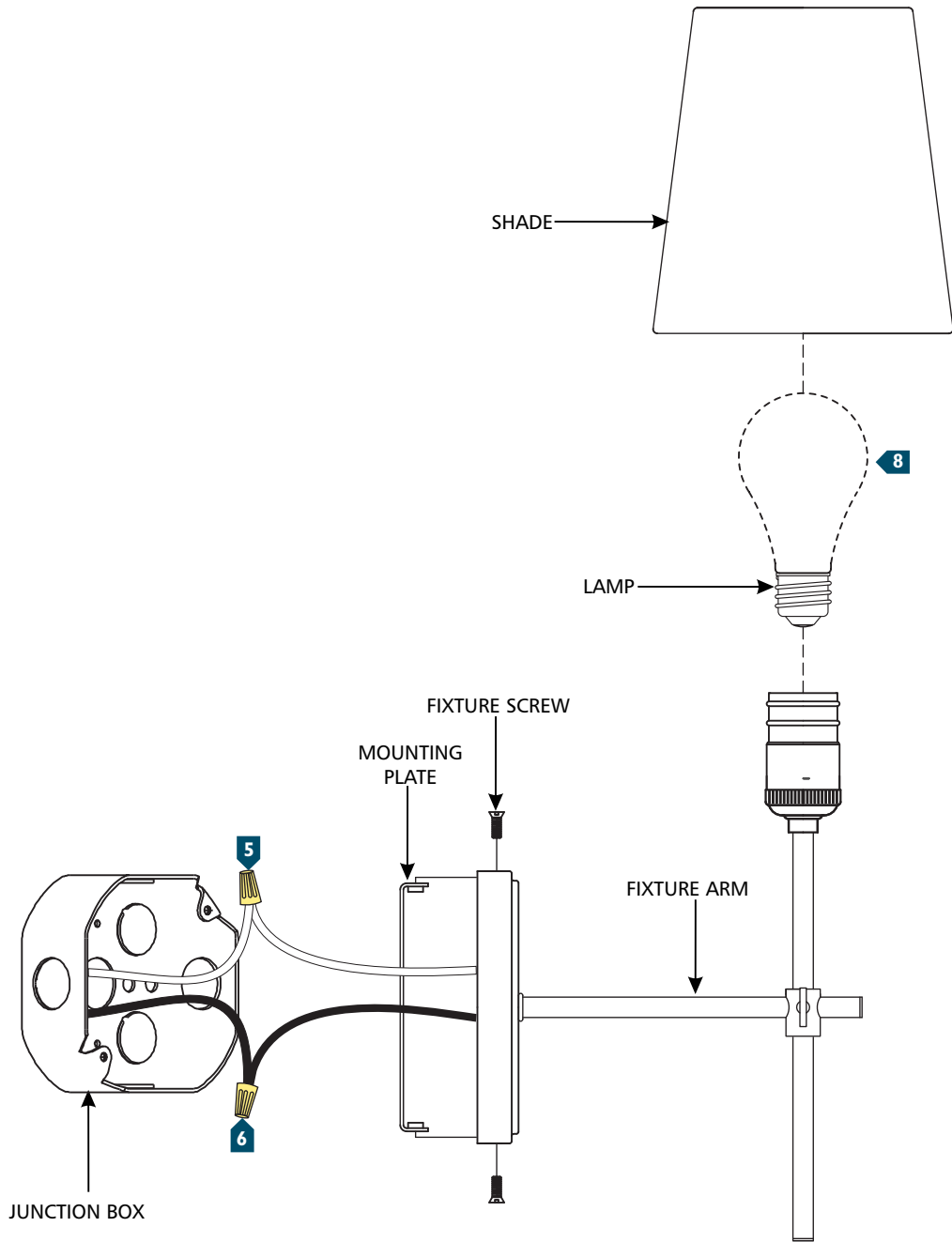
Use minimum 90°C supply conductors.



GENERATION LIGHTING
7400 Linder Ave., Skokie, IL 60077
T 847.410.4400 | F 847.410.4500
www.generationlighting.com

Install the Fixture

IA



- 1 Secure the mounting plate to the junction box.
- 2 Connect the fixture to a suitable ground in accordance with local electrical codes.
- 3 Connect the white fixture wire (square and/or rigid) to the neutral power line wire with a wire nut.
- 4 Connect the black fixture wire (round and/or smooth) to the hot power line wire with a wire nut.
- 5 Neatly place all the wires into the junction box, place the fixture base onto the mounting plate and secure it in place using the fixture screws.
- 6 Screw the lamps into the sockets. Refer to the label on the socket for Max Wattage Information.
- 7 Install the shade by placing it onto the lamp.