



**Features**

- Alcove installation
- 18-1/4" apron
- Vikrell material
- Left drain
- Tongue-and-groove walls with snap-together installation
- Tile look
- Some caulk required
- Corner shelves, built-in armrests and contoured back
- 3" drain-to-floor clearance for above-floor drain installation

**Included Components**

Product consists of:

- 71114100 60" x 42" Bath/Shower Wall Set
- 71111112 60" x 42" AFD Bath



**Codes/Standards**



- CSA B45.5/IAPMO Z124
- ASTM E162
- ASTM E662
- Greenguard UL 2818 - Gold
- HUD, UM Bulletin 73

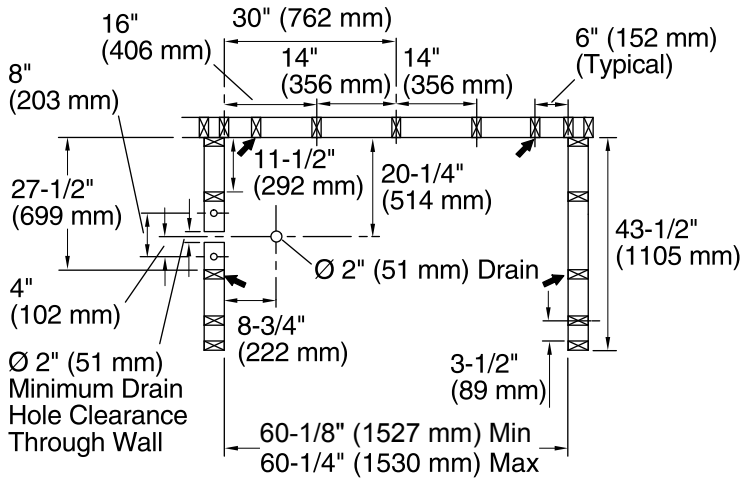
**Warranty – Bathing Fixtures (and) Kitchen and Utility Sinks Made of Solid Vikrell® Material**


See website for detailed warranty information.

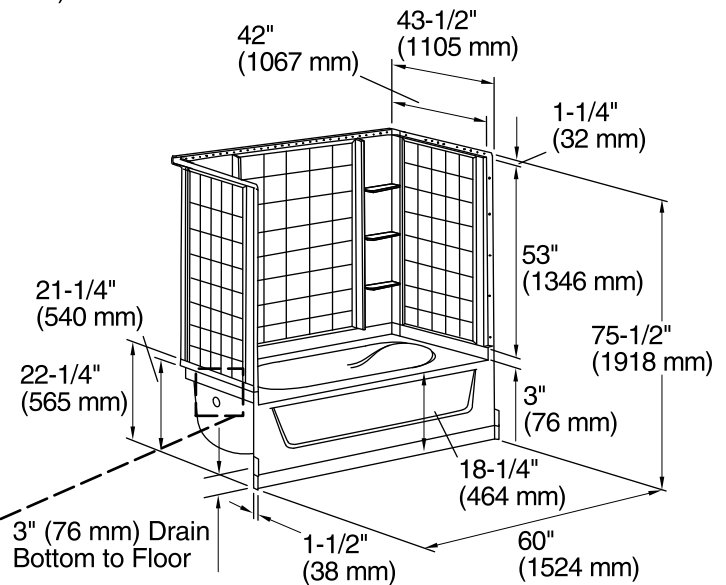
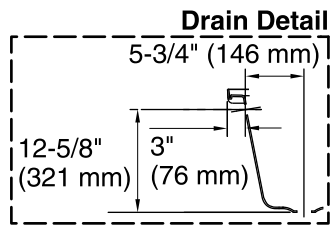
**Available Colors/Finishes**

*Color tiles intended for reference only.*

| Color  | Code | Description    |
|--|------|----------------|
|  | 0    | White          |
|  | 96   | KOHLER Biscuit |



 Recommended Support Clip Location (4 Total)



### Technical Information

All product dimensions are nominal.

Installation: Three-wall alcove

Drain location: Left

Basin area, bottom: 40" x 27" (1016 mm x 686 mm)

Basin area, top: 52" x 35" (1321 mm x 889 mm)

Water depth: 11" (279 mm)

Water capacity: 55 gal (208.2 L)

Minimum flat for door: 3-1/4" (83 mm)

Maximum door height: 55-3/4" (1416 mm)

Maximum door width: 58-1/2" (1486 mm)

### Notes

Install this product according to the installation instructions.

Studs should be positioned roughly as shown.

Double studding is recommended for pivot shower door installations.