



# Performa™

## 60" AFD Bath/Shower w/Backerboards 71040128



### Features

- Alcove installation
- 17-1/4" apron
- Solid Vikrell material
- Right drain
- Tongue-and-groove walls with snap-together installation
- High-gloss walls
- Full caulking required in all seams
- Acrylic towel bar
- Aging in Place backerboards
- 3" drain-to-floor clearance for above-floor drain installation

### Recommended Products/Accessories

- 500C-59 Framed Sliding Bath Door
- 690B-59 Framed Sliding Bath Door
- 5325EZ-57 Frameless Sliding Bath Door
- 5405-59 Frameless Sliding Bath Door
- 5900-57 Framed Sliding Bath Door
- 5900-59 Framed Sliding Bath Door
- 5905-57 Framed Sliding Bath Door
- 5905-59 Framed Sliding Bath Door
- 5906-59 Framed Sliding Bath Door
- 5907-59 Framed Sliding Bath Door
- 542808-59 frameless sliding bath door
- 572005-59 Framed Sliding Bath Door
- 581005-59 frameless sliding bath door
- 80001012 12" Grab Bar
- 80001018 18" Grab Bar
- 80001024 24" Grab Bar
- 80011032 32" Grab Bar
- 80001036 36" Grab Bar
- VA-80172 Window Trim Kit

### Included Components

- Product consists of:
- 71044106 60" Bath/Shower Wall Set w/Backer Boards
  - 71041122 AFD, 60" x 29" Bath - Right-hand Drain



### Codes/Standards



- CSA B45.5/IAPMO Z124
- ASTM E162
- ASTM E662
- Greenguard UL 2818 - Gold
- HUD, UM Bulletin 73

### Warranty – Bathing Fixtures (and) Kitchen and Utility Sinks Made of Solid Vikrell® Material

See website for detailed warranty information.

### Available Colors/Finishes

*Color tiles intended for reference only.*

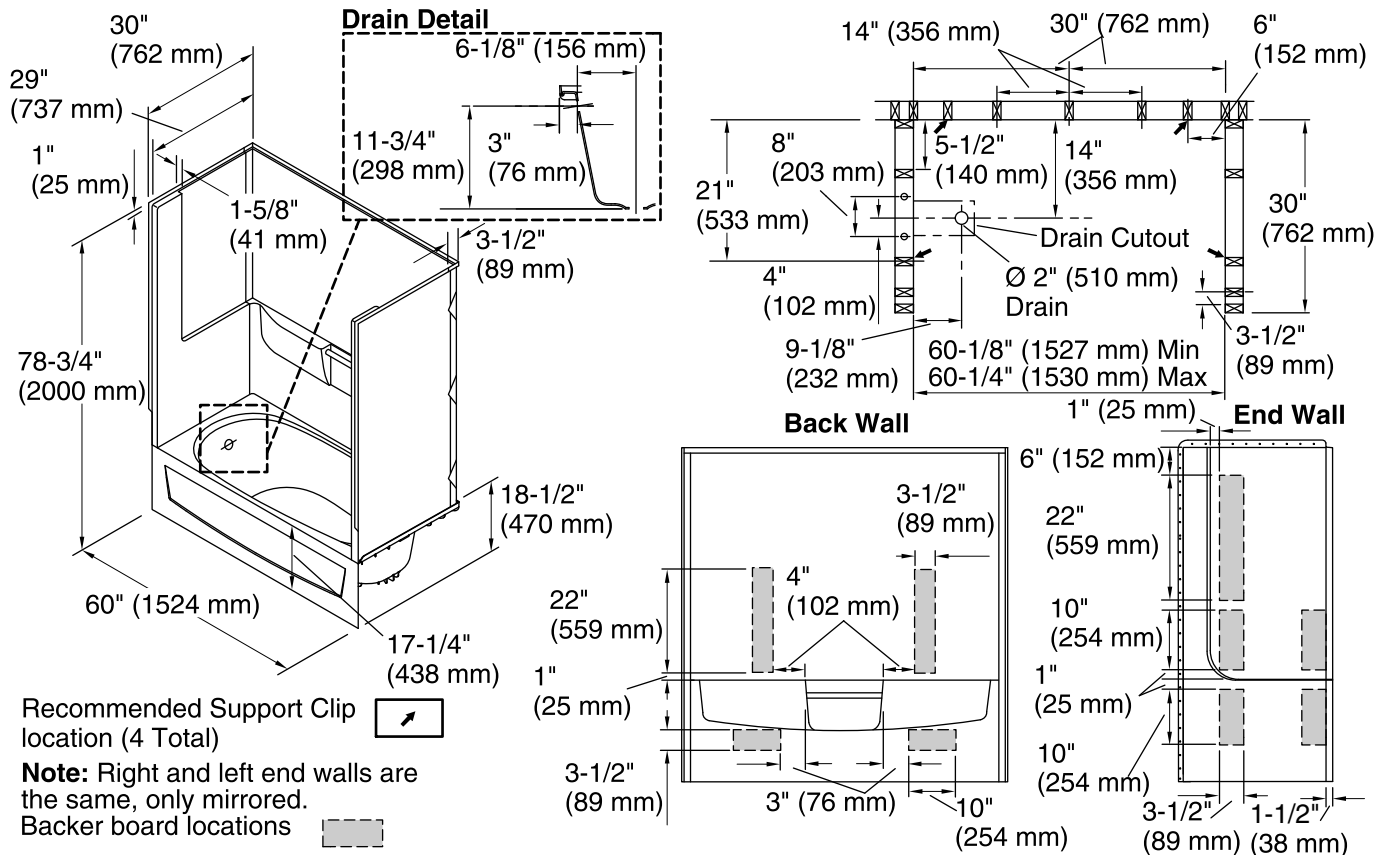
Color	Code	Description
	0	White
	96	KOHLER Biscuit

1-800-STERLING (1-800-783-7546)

Kohler Co. reserves the right to make revisions without notice to product specifications.

For the most current Specification Sheet, go to [www.sterlingplumbing.com](http://www.sterlingplumbing.com).

4-26-2019 00:10 - US



### Technical Information

All product dimensions are nominal.

Installation:	Three-wall alcove
Drain location:	Right
Basin area, bottom:	21" x 39" (533 mm x 991 mm)
Basin area, top:	24" x 53" (610 mm x 1346 mm)
Water depth:	10-1/4" (260 mm)
Water capacity:	35 gal (132.5 L)
Minimum flat for door:	1-3/4" (44 mm)
Maximum door height:	59-1/2" (1511 mm)
Maximum door width:	56-3/4" (1441 mm)

### Notes

- Install this product according to the installation instructions.
- Studs should be positioned roughly as shown. Double studding is recommended for pivot shower door installations.
- Attach grab bars at the specified backerboard locations only.