

# Cubix<sup>™</sup>

24Z0005K /

24Z0008K /

24Z0009K /

Small Surface Mount

## Cubix™ Product Information and Warnings

### Important

- **Always disconnect the power before installing or replacing Luminaires and before cleaning or other maintenance.**
- **Consult a qualified, licensed electrician to ensure correct branch circuit conductor.**
- ***Consulter un électricien qualifié pour vous assurer que les conducteurs de la dérivation sont adéquats.***
- Please read all included assembly instructions and warnings carefully before installation. Contact Customer Service if you have any questions or concerns. Before installation, please confirm that the fixture is compatible with your supply voltage and dimming system, if present.
- LEDs are highly sensitive electronic devices, and must be treated with care. Do not open any factory sealed compartments, and avoid touching the LEDs with your hands or any object.
- Although all our fixtures are equipped with protective devices, LED electronic systems are vulnerable to power surges and supply variations. Do not install LED fixtures on the same circuit as any motors, appliances, or HVAC systems.
- Remote LED Driver installation must be done by a licensed electrician and in accordance with local building and electrical codes. Remote installations should be in an accessible location, as close to the fixture as possible. The appropriate wire gauge must be used to limit the voltage drop to avoid overloading the LED Driver.
- Any mounting hardware is provided for your convenience and should be used with discretion. Always use the appropriate hardware for the mounting surface.
- All factory-made splices and connections must remain intact. LED circuits are carefully designed and built, and improper connections may damage the fixture.
- The ends of coaxial pendant cords have been precisely stripped and split at the factory and must not be field cut. Excess cord or cable should be neatly coiled and reserved in the fixture canopy.
- Cubix™ LED Drivers are 24VDC Constant Voltage output.
- Cubix™ is suitable for installation in Damp Locations.

## Remote power supply and 24SPK06 installation

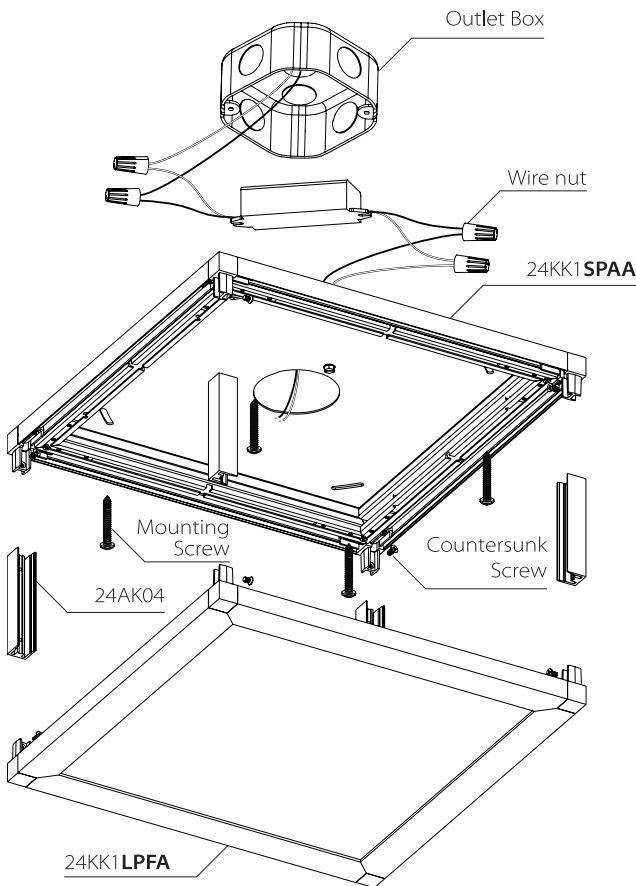


Fig. 1  
24Z0005K

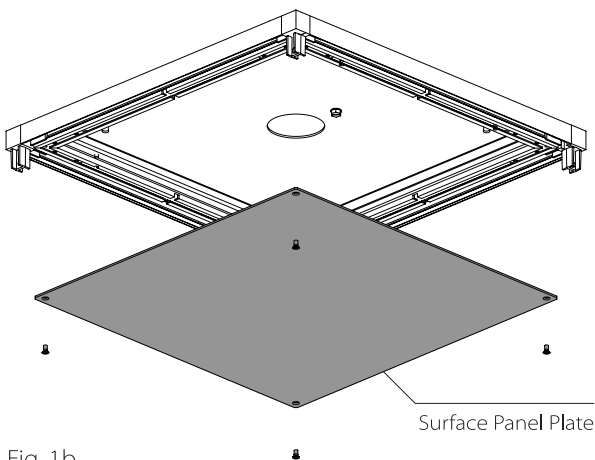


Fig. 1b

1. Shut off power to the Outlet Box.
2. Make appropriate electrical connections using wire nuts:
  - a. Connect the LED driver's live wire (black) to the live outlet box wire.
  - b. Connect the LED driver's neutral wire (white) to the neutral outlet box wire.
  - c. Connect the fixture's ground wire (green or uncoated) to the ground outlet box wire. If no ground is present in outlet box, connect fixture's ground wire to the mounting plate using the green screw (included).
  - d. Connect low voltage output wires from LED driver to wires from light fixture: red to red and black to black.
  - e. Carefully place connections and LED driver in outlet box.
3. Remove Surface Panel plate from 24KK1 SPAA, storing it in a secure location for later, and install to ceiling using Mounting Screws making sure the wires are properly hanging through access hole.
4. Based on fixture, install the following arms to 24KK1LPFA:
  - (4x) 24AK04 - 24Z0005K
  - (4x) 24AK08 - 24Z0008K
  - (4x) 24AK12 - 24Z0009K
5. Install assembly to 24KK1 SPAA and connect wires using Fig. A as a reference.
6. Reinstall Surface Panel Plate with countersunk screws, install all missing Arm Caps as shown in Fig 1b, and restore power back to Outlet Box. **NOTE: Make sure Surface Panel Plates and Arm Caps are not pinching wires.**
7. Restore power to outlet box.
8. Completed fixtures shown on following page.

Wiring reference

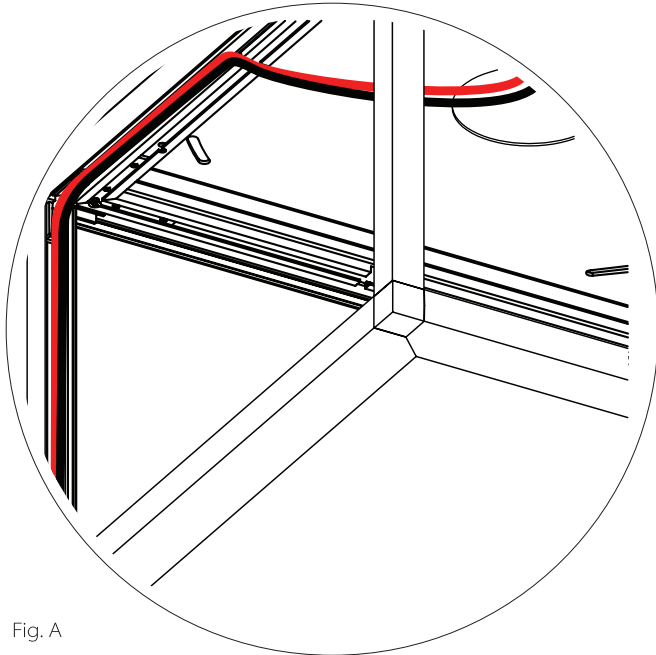


Fig. A

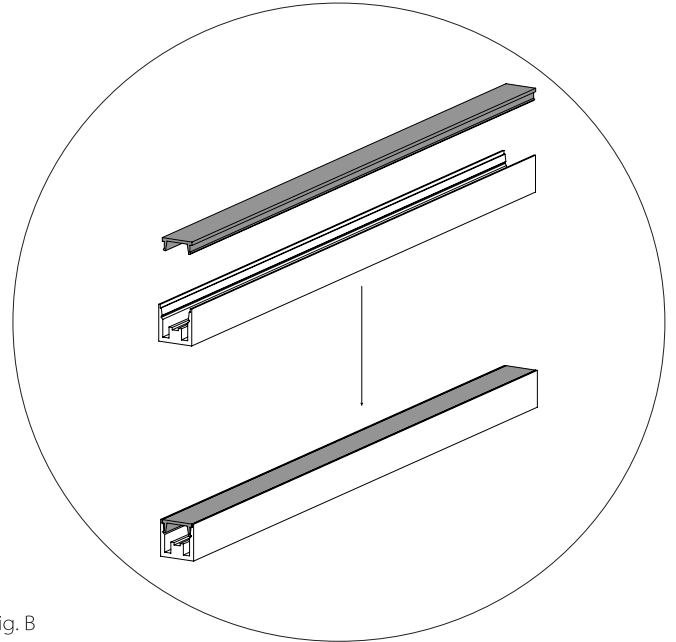
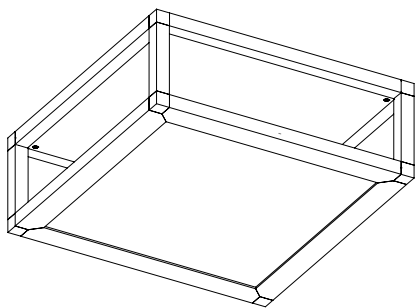
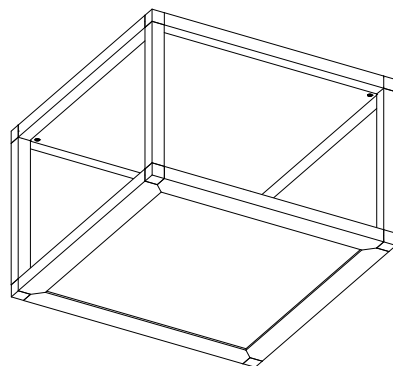


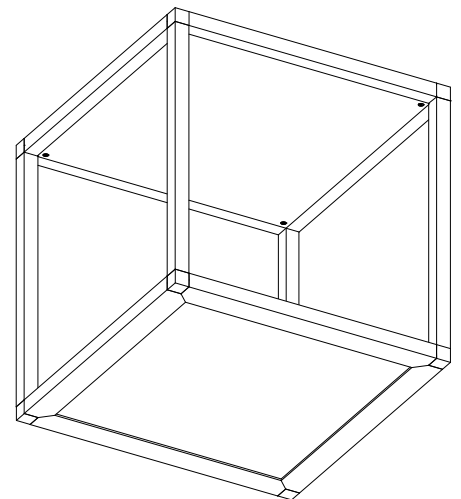
Fig. B



24Z0005K



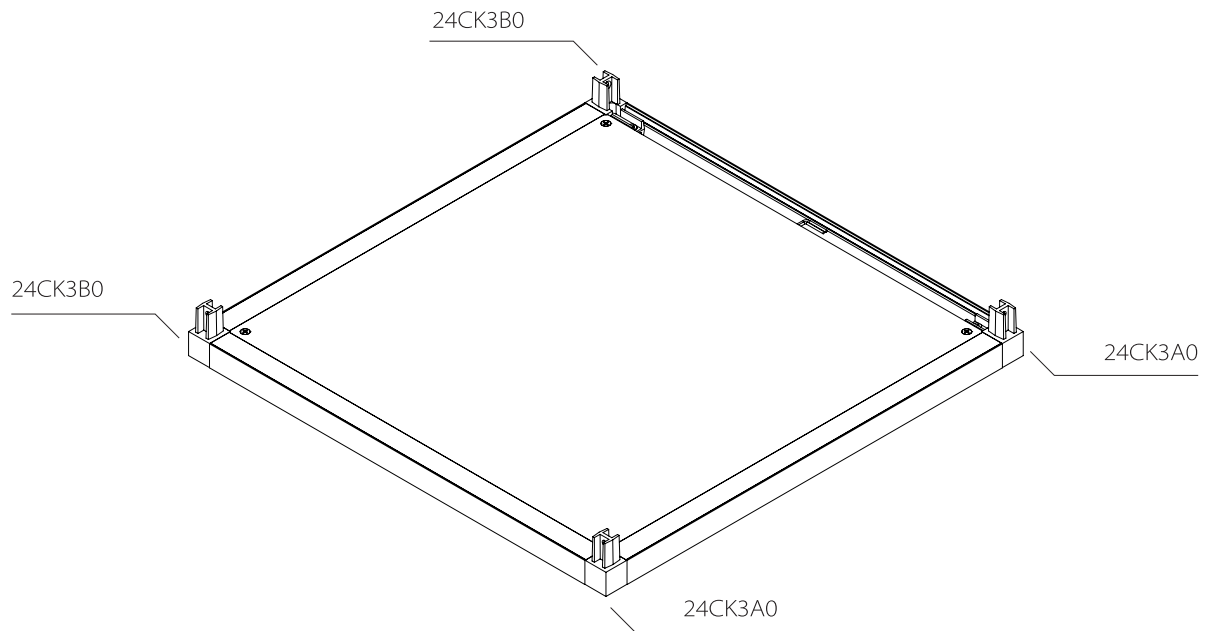
24Z0008K



24Z0009K

**24CK3B0:** 3-arm Type B Connector

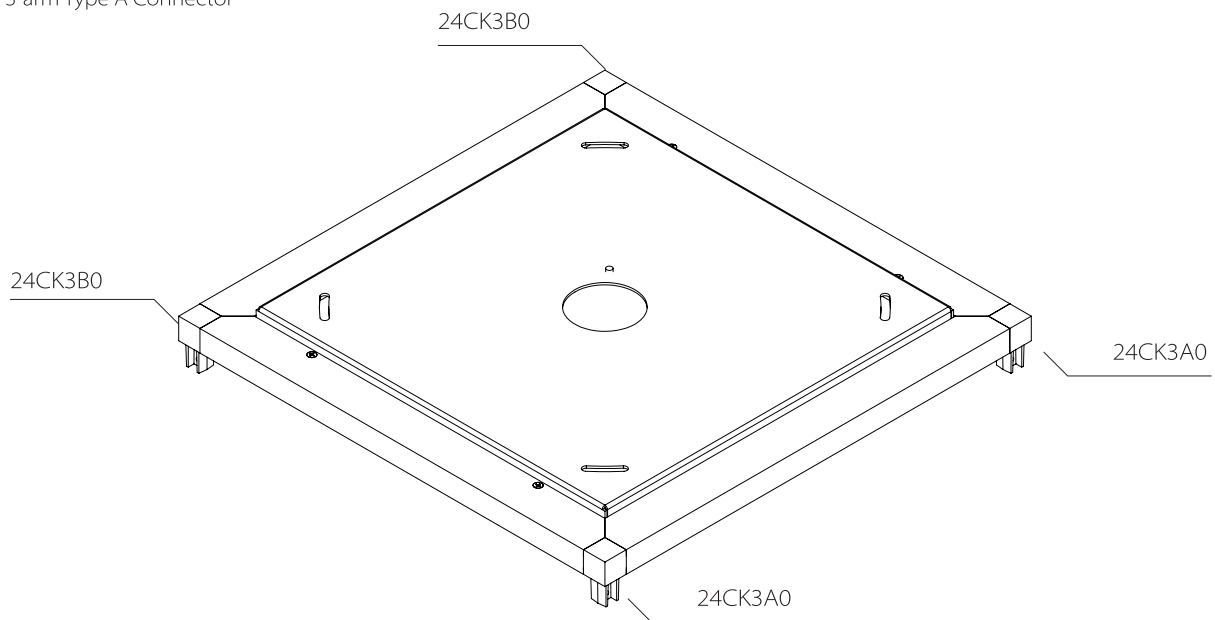
**24CK3A0:** 3-arm Type A Connector



**24KK1LPFA**  
Light Panel F

**24CK3B0:** 3-arm Type B Connector

**24CK3A0:** 3-arm Type A Connector

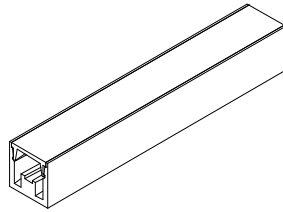


**24KK1SPAA**  
Surface Panel A

Multiple U.S. and foreign patents pending.

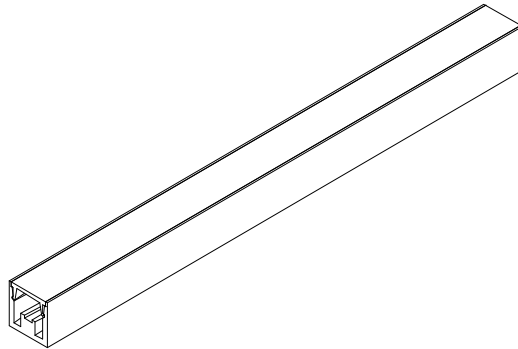
# Assembly Instructions

## Appendix A



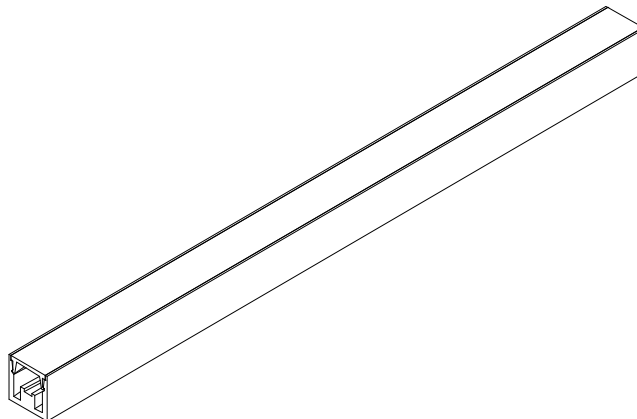
**24Z0005K - (4x) 24AK04**

---



**24Z0008K - (4x) 24AK08**

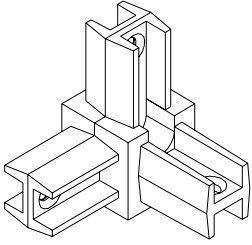
---



**24Z0009K - (4x) 24AK12**

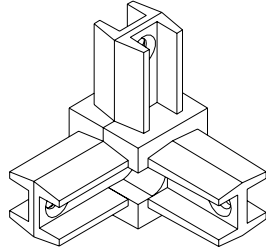
# Assembly Instructions

## Appendix B



### **24CK3A0**

3-arm Type A Connector



### **24CK3B0**

3-arm Type B Connector