



AVANTI SET OF HOT & COLD 1/2" SIDEVALVES

Transitional Bath

A2211LM (Metal Levers)

A2211XM (Cross Handles)

FEATURES

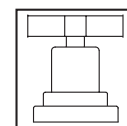
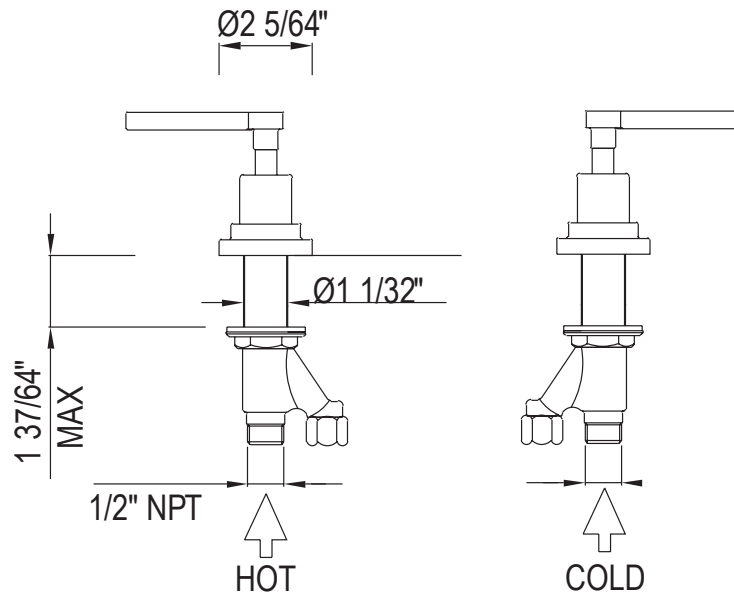
- For use on bathtubs with integrated tub spouts
- 1/2" sidevalves
- 2 x 1 3/8" cutouts
- 1/4-turn ceramic disc control cartridges
- Hose not included. Order C7089.6012 1/2" x 1/2" NPSM connection. Order two for a set.
- Brass construction

COLORS/FINISHES

- Polished Chrome
- Polished Nickel
- Satin Nickel
- Inca Brass
- Tuscan Brass
- Matte Black

WARRANTY

- Limited Lifetime*
- * No warranty on Tuscan Brass
- * 5-year warranty on Inca Brass
- * 5-year warranty on Matte Black



XM Handle Option