

CARNIVAL SCONCE

8157

CARNIVAL CHANDELIER

8158

Project Name _____

Fixture Type _____

Quantity _____

Norwell Lighting

ILEX

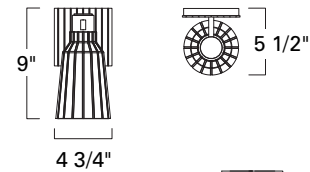
Custom Metalcraft



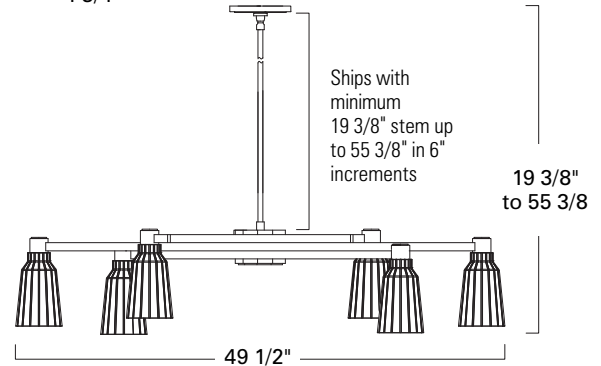
8157-SB-CL



Canopy matches sconce backplate



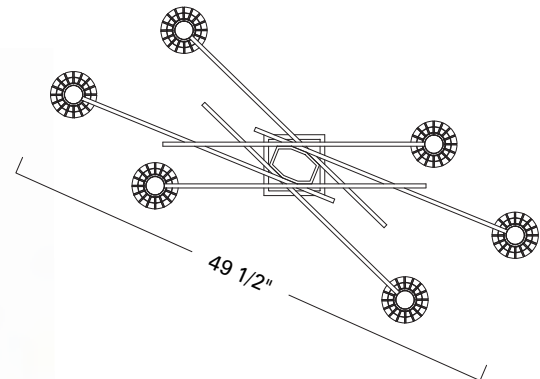
8158-SB-CL



8157-PN-CL



8158-PN-CL



Product Name / Model / Dimensions					Finish Options	Diffuser	Lamping Options
Carnival Sconce - 8157					Standard Polished Nickel / PN Satin Brass / SB	Standard Striped Glass / CL 4 1/2" W X 7 1/8" H	Standard 8157 - 1-60 Watt Medium Base 8158 - 6-60 Watt Medium Base
Carnival Chandelier - 8158							
	Height	Width	Projection	Overall Height			
8157	9"	4 3/8"	5 1/2"	--			
8158	Body Height 9"	49 1/2"	--	Ships with minimum 19 3/8" stem up to 55 3/8" in 6" increments			
8157 - Backplate 4 3/4" H x 4 3/4" W							
8158 - Canopy 4 3/4" H x 4 3/4" W							

Damp Location and Rated UL/ETL Listed

REV-4-2020

DISCLAIMER:

Norwell Lighting and its companies, ILEX Architectural Lighting and Custom Metalcraft reserve the right to change specifications related to its product at anytime. USA Made indicates product is manufactured in East Taunton, Massachusetts facility. Phone: 508-823-1751