

VICTORIA

Features

- Solid brass construction
- Face plate with ADA compliant traditional lever handle
- ADA compliant traditional lever handle assembly and insert options for control valve
- Intended for use with Newport Brass rough valve(s) as specified (Required Accessory)

**Tub or Shower Trim
(less tub spout or showerhead, arm & flange)**

4-1774BP

Also 3-323

Codes / Standards Compliance

Meets or exceeds the following at date of manufacture:

- ASME A112.18.1/CSA B125.1
- IAPMO/cUPC
- IPC
- ADA
- ICC/ANSI A117.1
- ASSE 1016
- All applicable US Federal and State material regulations



4-1774BP



3-323

Colors / Finishes

- 10B: Oil Rubbed Bronze
- 15: Polished Nickel
- 15S: Satin Nickel - PVD
- 26: Polished Chrome
- Other: Refer to the Newport Brass catalog for additional color/finish options.

Specified Model

Model	Description	Colors Finishes				
4-1774BP	Tub or Shower Trim (less tub spout or showerhead, arm & flange)	<input type="checkbox"/> 10B	<input type="checkbox"/> 15	<input type="checkbox"/> 15S	<input type="checkbox"/> 26	<input type="checkbox"/> Other
3-322	Shower System Control Valve Trim (Escutcheon/Handle)	<input type="checkbox"/> 10B	<input type="checkbox"/> 15	<input type="checkbox"/> 15S	<input type="checkbox"/> 26	<input type="checkbox"/> Other

Required Accessory: Trim(s), above, and Rough Valve(s), below, must be specified.

Application	Shower (or Tub) Valve (Choose One)		Control Valve
Description	Balance Pressure (BP)	Balance Pressure (BP)	Diverter (3/4 Port)
Inlet/Outlet Size	1/2"	1/2"	1/2"
Part Number	<input type="checkbox"/> 1-594	<input type="checkbox"/> 1-684	<input type="checkbox"/> 1-617
Image			

Product Specification: Add size designator and "Color / Finish" suffix to Model number, below.

The single-control Tub or Shower Trim (less tub spout or showerhead, arm & flange) shall be made of solid brass construction. Tub or Shower Trim shall include faceplate with ADA compliant handle. Shower System Control Valve Trim(s) (Escutcheon/Handle) shall be ADA compliant when used with specified Shower System Control Valve. Tub or Shower Trim (less tub spout or showerhead, arm & flange) shall be Newport Brass Model 4-1774BP/____ and single-control Tub or Shower rough valve shall be Newport Brass Model 1-____. [Optional Shower System Control Valve Trim (Escutcheon/Handle) shall be 3-323____/____ and Shower System Control Valve shall be 1-617].

4-1774BP

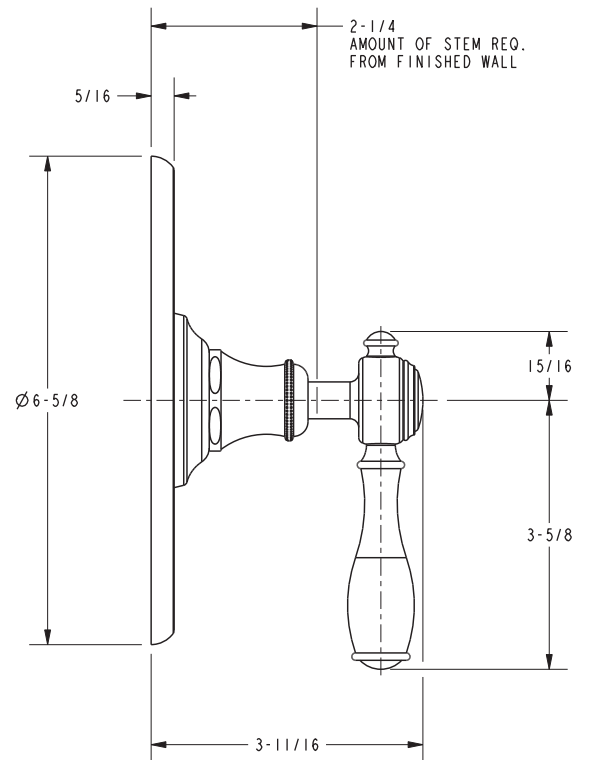
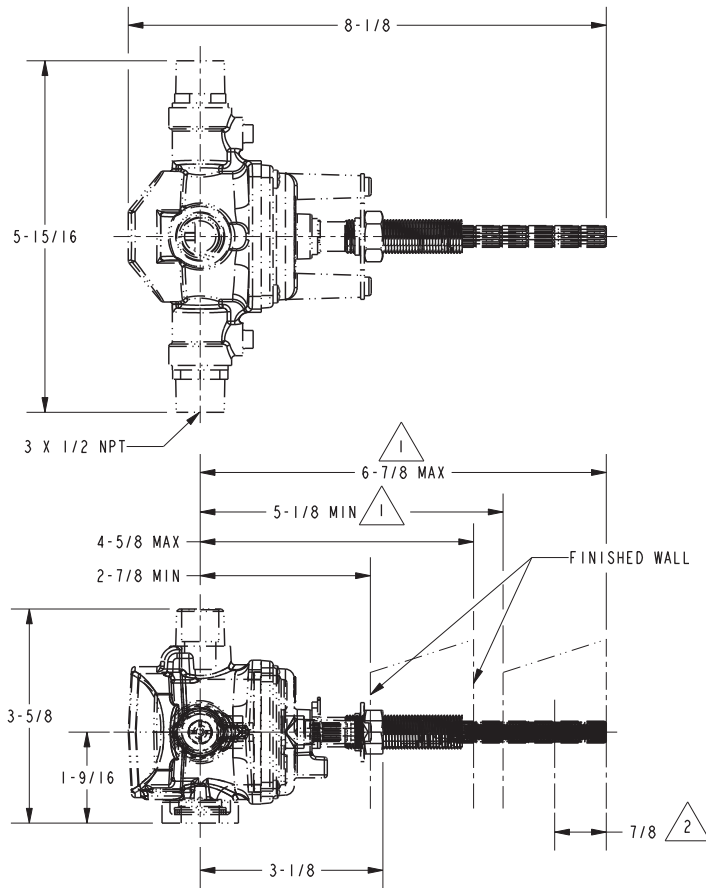
PRODUCT DIMENSIONS *(Units are in inches)*

NOTES:



1 CUT STEM TO DIMENSION SHOWN.

2 CUT ALL-TREAD 7/8" SHORTER THAN STEM.



Victoria Tub or Shower Trim
4-1774BP

NEWPORT BRASS
 Flawless Beauty. From Faucet to Finish.™