

**Features**

- Solid brass construction
- Face plate with ADA compliant traditional lever handle and diverter pull-knob
- 1.8 gallons (6.7 liters) per minute maximum flow rate showerhead
- ADA compliant traditional lever handle assembly for control valve
- Intended for use with Newport Brass rough valve(s) as specified (Required Accessory)

**Codes / Standards Compliance**

Meets or exceeds the following at date of manufacture:

- ASME A112.18.1/CSA B125.1
- IAPMO/cUPC
- IPC
- ADA
- ICC/ANSI A117.1
- ASSE 1016
- Energy Policy Act of 1992
- EPA Watersense
- All applicable US Federal and State material regulations

**Colors / Finishes**

- 10B: Oil Rubbed Bronze
- 15: Polished Nickel
- 15S: Satin Nickel - PVD
- 26: Polished Chrome
- Other: Refer to the Newport Brass catalog for additional color/finish options.

**Tub and Shower Trim**  
**3-912BP**

Also 3-343



3-912BP

3-343



**Specified Model**

Model	Description	Colors   Finishes				
3-912BP	Tub and Shower Trim	<input type="checkbox"/> 10B	<input type="checkbox"/> 15	<input type="checkbox"/> 15S	<input type="checkbox"/> 26	<input type="checkbox"/> Other
3-343	Shower System Control Valve Trim (Escutcheon/Handle)	<input type="checkbox"/> 10B	<input type="checkbox"/> 15	<input type="checkbox"/> 15S	<input type="checkbox"/> 26	<input type="checkbox"/> Other

**Required Accessory**

Application	Tub & Shower Valve (Choose One)		Control Valve (Optional)
Description	BP w/Diverter	BP w/Diverter	Diverter (3/4 Port)
Inlet/Outlet Size	1/2"	1/2"	1/2"
Part Number	<input type="checkbox"/> 1-595	<input type="checkbox"/> 1-685	<input type="checkbox"/> 1-617
Image			

**Product Specification:** Add "Color / Finish" suffix to Trim Model numbers, below.

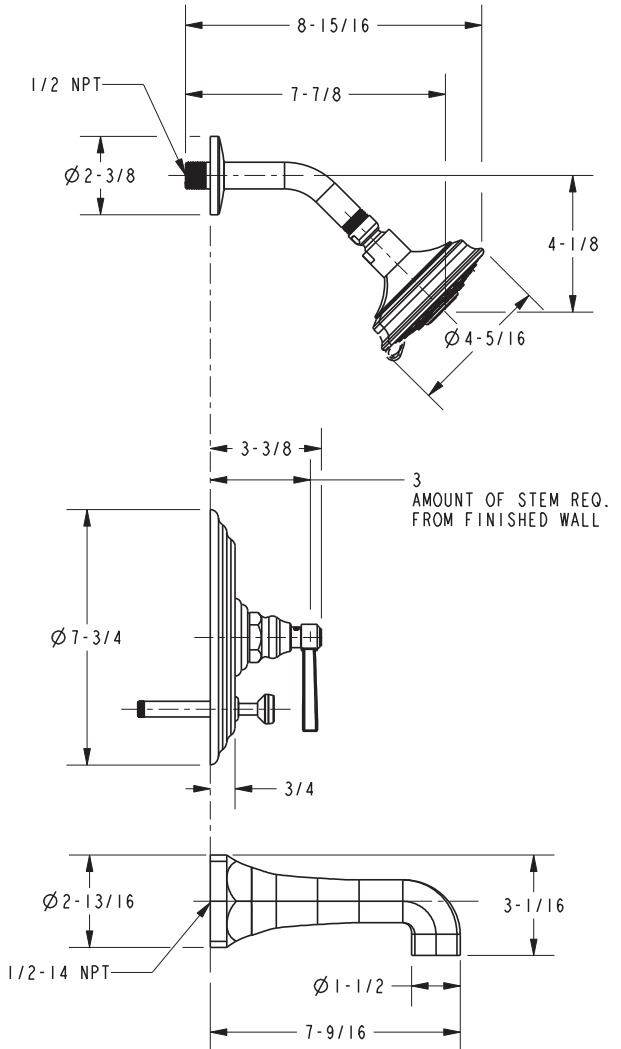
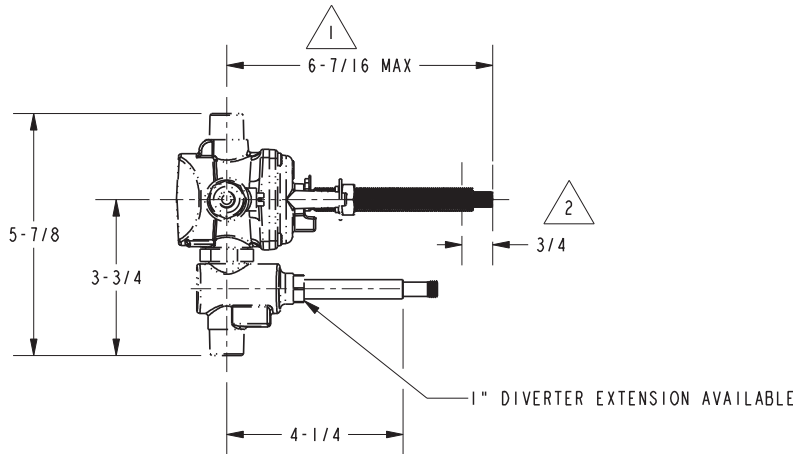
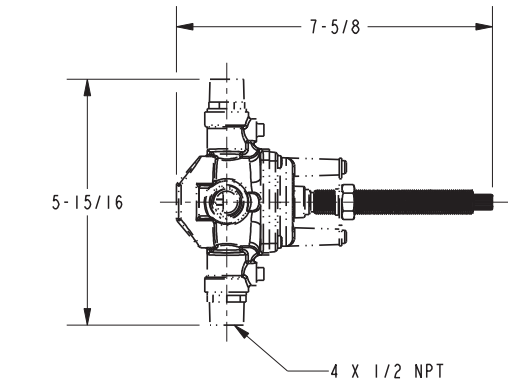
The single-control Tub and Shower Trim shall be made of solid brass construction. Tub and Shower Trim shall include showerhead with arm and flange, tub spout and faceplate with ADA compliant handle and diverter pull-knob. Showerhead shall have a maximum flow rate of 1.8 gallons (6.7 liters) per minute. Shower System Control Valve Trim(s) (Escutcheon/Handle) shall be ADA compliant when used with specified Shower System Control Valve. Tub and Shower Trim shall be Newport Brass Model 3-912BP/\_\_\_\_ and single-control Tub and Shower rough valve shall be Newport Brass Model 1-\_\_\_\_. [Optional Shower System Control Valve Trim (Escutcheon/Handle) shall be 3-343/\_\_\_\_ and Shower System Control Valve shall be 1-617].

# 3-912BP

## PRODUCT DIMENSIONS *(Units are in inches)*

NOTES:

- 1. CUT STEM TO DIMENSION SHOWN.
- 2. CUT ALL-THREAD 3/4" SHORTER THAN STEM.



Astor Tub and Shower Trim  
**3-912BP**

**NEWPORT BRASS**  
 Flawless Beauty. From Faucet to Finish.™