

**Roman Tub Deck Trim**

**3-2566**

**Features**

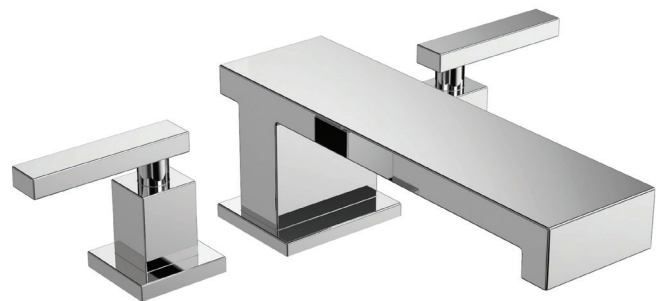
- Solid brass construction
- ADA compliant contemporary lever handles
- 2-3/16" (5.6 cm) spout height at outlet
- 8-3/8" (21.3 cm) spout reach (c-c)
- Intended for use with Newport Brass rough valve kit (Required Accessory) which incorporates the following:
  - Brass valve bodies and quick-connect spout fitting
  - Quarter-turn washerless ceramic disc 3/4" valve cartridges



**Codes / Standards Compliance**

Meets or exceeds the following at date of manufacture:

- ASME A112.18.1/CSA B125.1
- IAPMO/cUPC
- IPC
- ADA
- ICC/ANSI A117.1
- All applicable US Federal and State material regulations



**Colors / Finishes**

- 10B: Oil Rubbed Bronze
- 15: Polished Nickel
- 15S: Satin Nickel - PVD
- 26: Polished Chrome
- Other: Refer to the Newport Brass catalog for additional color/finish options.

**Specified Model**

Model	Description	Colors   Finishes
3-2566	Roman Tub Deck Trim	<input type="checkbox"/> 10B <input type="checkbox"/> 15 <input type="checkbox"/> 15S <input type="checkbox"/> 26 <input type="checkbox"/> Other

**Required Accessory:** Trim, above, and Rough Valve Kit, below, must both be specified

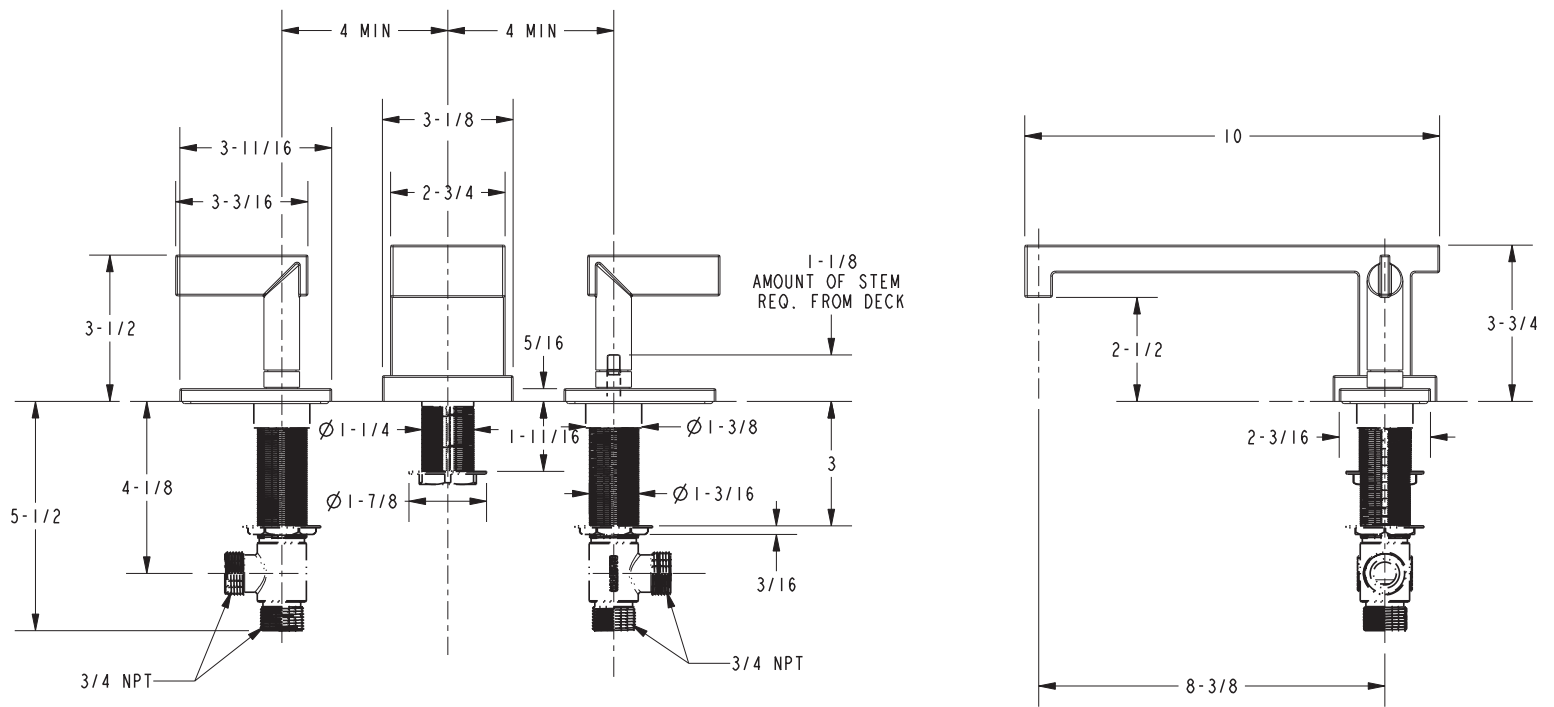
Application	Deck Tub Valve
Description	2-Valve Assembly With Quick Connect Spout Adapter
Inlet/Outlet	3/4"
Part Number	1-665
Image	

**Product Specification:** Add "Color / Finish" suffix to Model number, below.

The Roman Tub Deck Trim shall be made of solid brass construction. Roman Tub Deck Trim shall incorporate ADA compliant contemporary lever handles. Product shall incorporate a 2-3/16" (5.6 cm) spout height at outlet and a 8-3/8" (21.3 cm) spout reach (c-c). Rough valve kit shall incorporate brass valve bodies with quarter-turn washerless ceramic disc 3/4" valve cartridges and a spout nipple. Roman Tub Deck Trim shall be Newport Brass Model 2546/\_\_\_\_\_ and Newport Brass rough valve kit shall be 1-665.

# 3-2566

## PRODUCT DIMENSIONS *(Units are in inches)*



### Skylar Roman Tub Deck Trim 3-2566