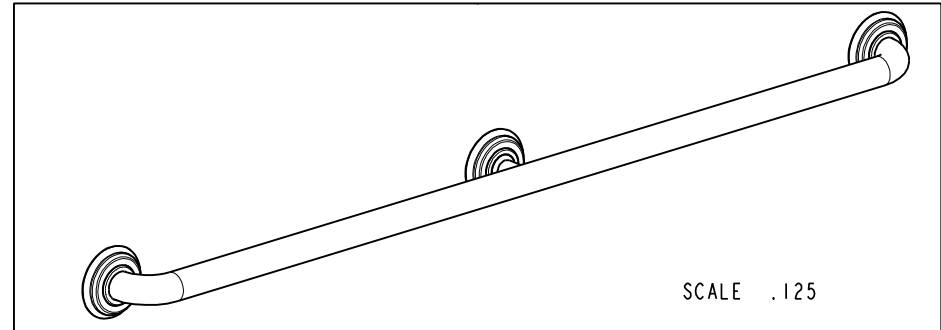
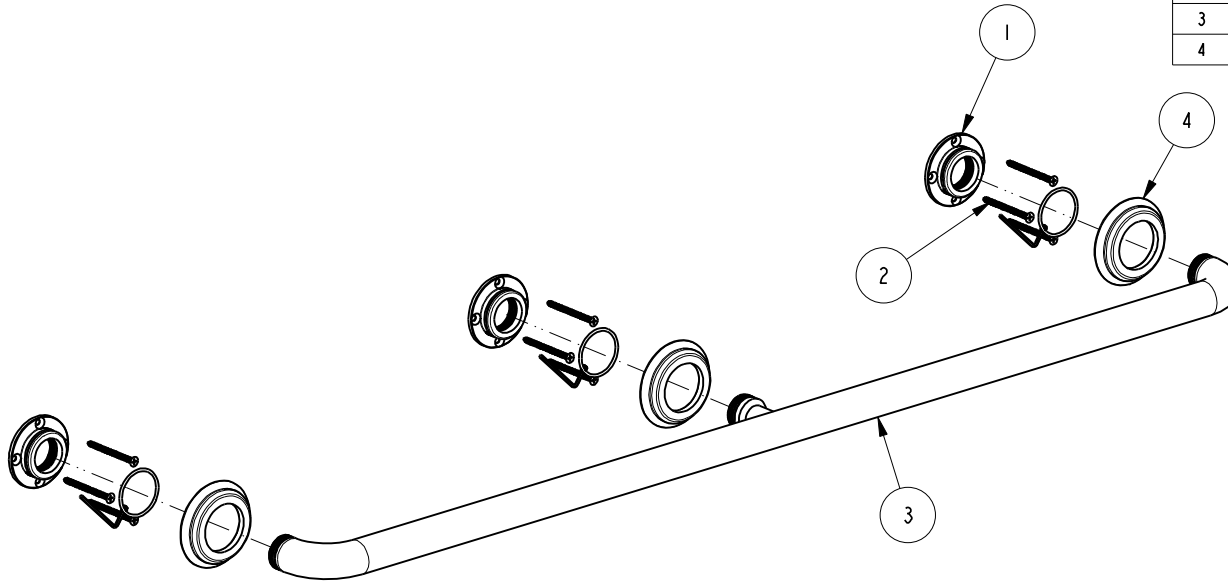


NOTES:

1. TO INSPECT ASSEMBLY, FOLLOW FIRST ARTICLE AND IN PROCESS INSPECTION SHEET.

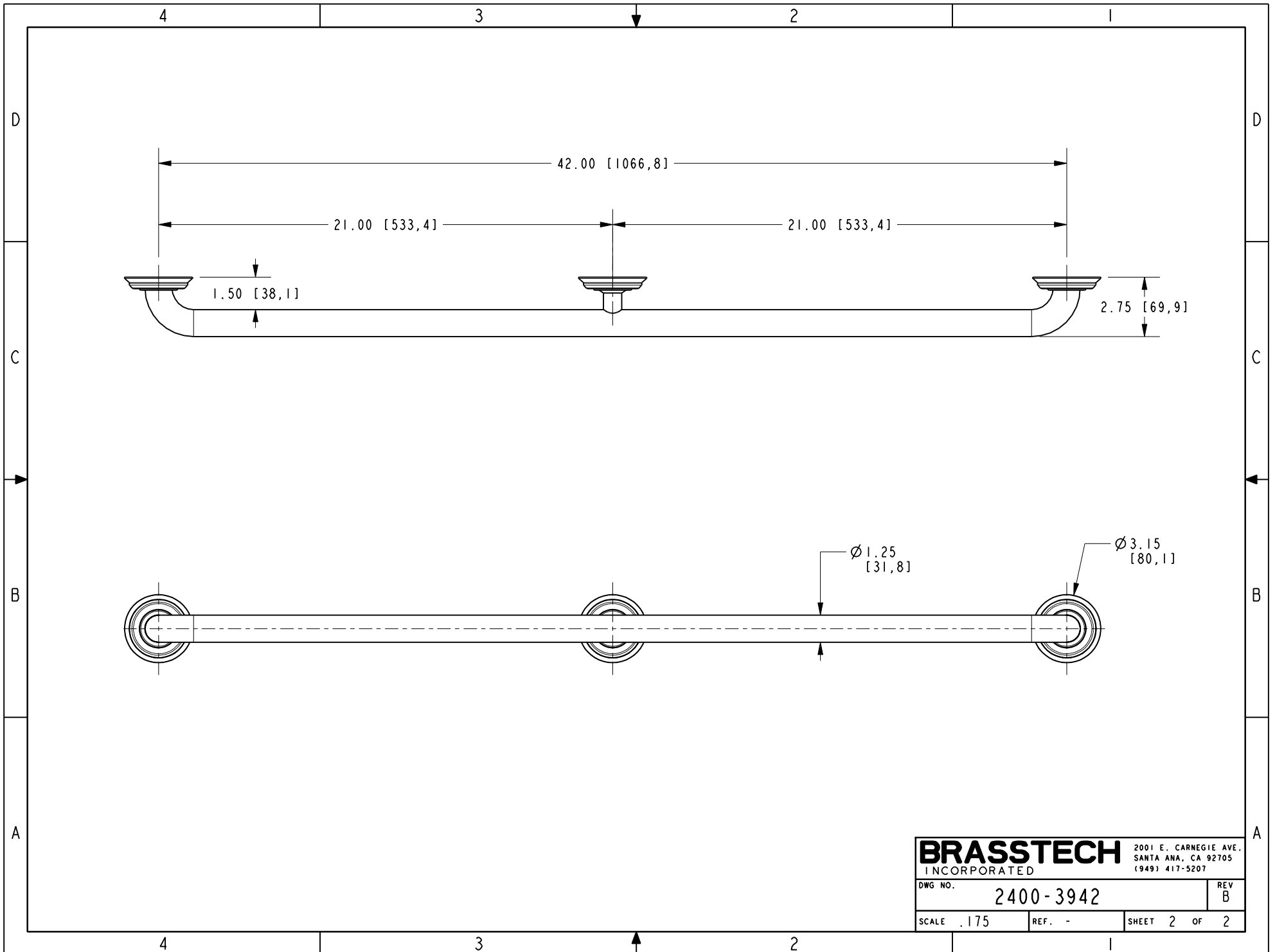
BILL OF MATERIAL (CURRENT LEVEL)

ITEM	PT/ASSY	DESCRIPTION	TYPE	QTY.
1	1995	MOUNTING FLANGE	PART	3
2	199X	GRAB BAR MOUNTING HARDWARE PACK	ASSEMBLY	3
3	5086	42" GRAB BAR, ADAPTER AND POST ASSY	ASSEMBLY	1
4	40678	DECORATIVE RING	PART	3



SCALE .125

<p>TESTING - - -</p> <p>ASSEMBLY - - -</p> <p>PLATING - - -</p> <p>POLISHING - NEXT ASSY USED ON</p> <p>MACHINING - APPLICATION</p> <p>TOOLING FIXTURE # REMOVE ALL BURRS AND SHARP EDGES</p>					<p>UNITS ARE: INCHES [MM]</p> <p>TOLERANCES ARE:</p> <p>FRACTIONS DECIMALS ANGLES</p> <p>±1/16" .X ±.1 [2.5] ±1°</p> <p>.XX ±.06 [1.5]</p> <p>(X.XXX) DENOTES CRITICAL DIMS.</p> <p>ALL THREADS ARE CRITICAL</p> <p>DRAWN JINSON 06/22/21</p> <p>CHECKED R.S. 06/22/21</p> <p>APPROVED R.S. 06/22/21</p>			<p>BRASSTECH 2001 CARNEGIE AVE. INCORPORATED SANTA ANA, CA 92705 (949) 417-5207</p> <p>42" CURVED GRAB BAR ASSEMBLY</p> <p>DWG NO. 2400-3942 REV B</p> <p>SCALE .150 REF. - SHEET 1 OF 2</p>	
-	B	EN-4300i	06/22/21	R.S.	<p>COPYRIGHT 2005 BRASSTECH, INC. THESE DRAWINGS AND THE DESIGNS DEPICTED HEREIN ARE THE PROPRIETARY PROPERTY OF BRASSTECH. ANY USE OR REPRODUCTION IS SUBJECT TO THE EXPRESS APPROVAL OF BRASSTECH. UNAUTHORIZED USE IS STRICTLY PROHIBITED. ALL RIGHTS RESERVED.</p>				
-	A	EN-4143	03/20/20	J.M.					
-	-	EN-3279b	07/13/17	J.M.					



BRASSTECH		2001 E. CARNEGIE AVE. SANTA ANA, CA 92705 (949) 417-5207	
DWG NO.	2400-3942		REV B
SCALE	.175	REF.	-
SHEET		2	OF 2