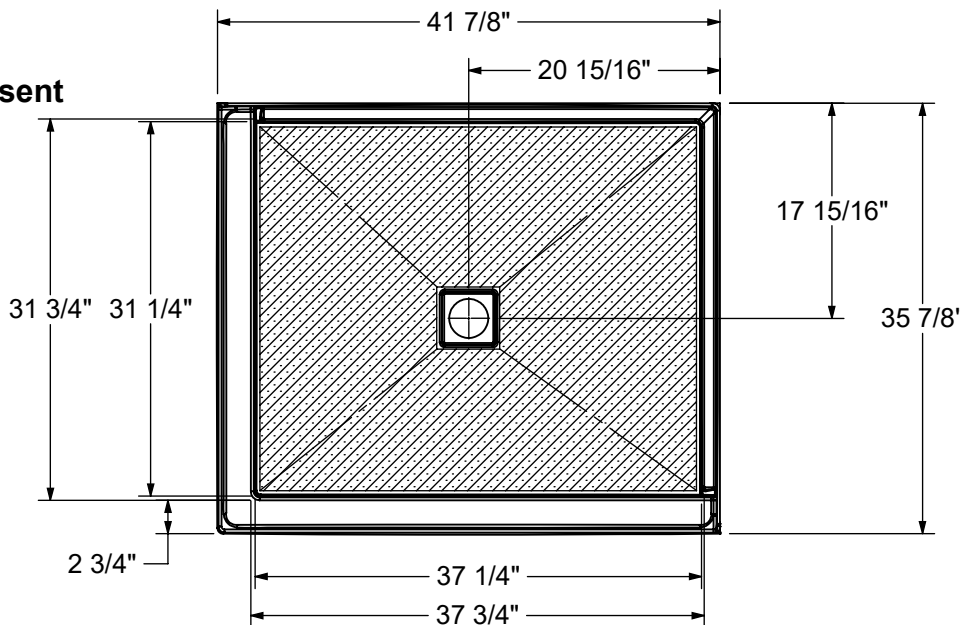
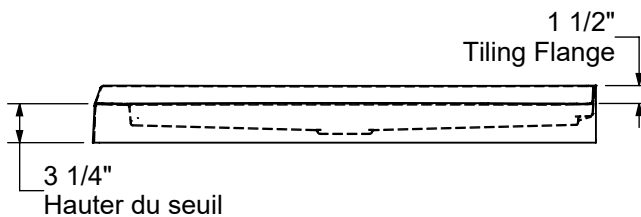
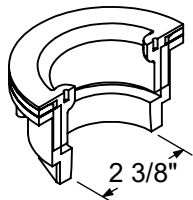
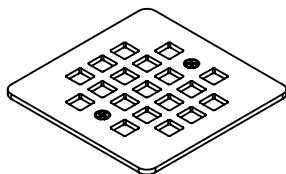


The hatched area represent the antislip surface



DRAIN INCLUDED ON B3 SQUARE ONLY



This technical drawing is universal for every 4236 configuration.

Integrated tiling flange :  $1 \frac{1}{2}$ " height x  $\frac{1}{4}$ " thick  
 Tiling flange position is determined by chosen configuration.

All dimensions are approximate. Structure measurements must be verified against the unit to ensure proper fit.