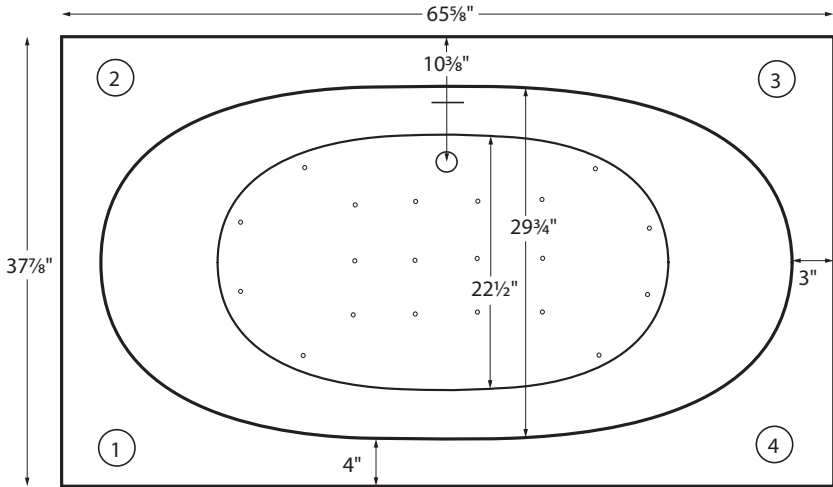


Akana

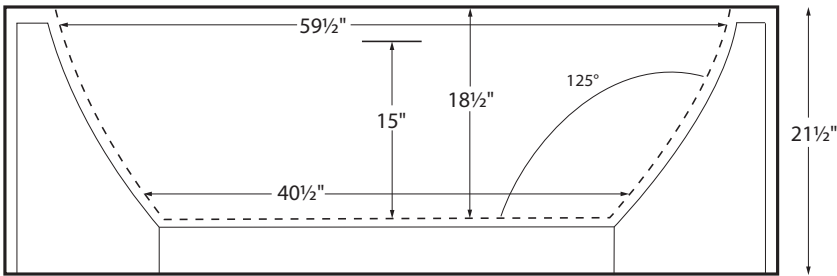


Features an integrated overflow.

|  |
|--|
| MODEL 131  |
| 65.5" x 38" x 21.5"  |
| FREESTANDING<br>71 gal to overflow   |
| <b>SculptureStone®</b>   |
| 380 lbs / 172 kg soaker<br>410 lbs / 186 kg airbath  |
| Filling this tub to the maximum may require an above average size or dedicated water heater. |



Numbered locations on tub deck are possible locations to mount faucetry.



| ELECTRICAL COMPONENTS & SPECIFICATIONS   |                     |          |
|--|---------------------|----------|
| Required Electrical Service - 110 Volt   |                     |          |
| Hydrotherapy Package   | Components Included | GFCI     |
| Air Massage  | heated blower       | 1-15 amp |
| Electrical requirements may change with the addition of optional therapy components. See specific option details or installation information.<br>CSA Certified C/US; ANSI Z124.1 and ANSI 112.19.7 and ANSI 112.19.7 |                     |          |

See the Installation & Operation Manual for more details.  
 MTI's Customer Service: Monday-Friday 8am-6pm EST  
**800-783-8827** or service@mtibaths.com

**IMPORTANT ORDERING & INSTALLATION INFORMATION**

- Before ordering or installing, please consider future access to equipment.
- Comes standard as freestanding version. May be ordered with 1, 2 or 3 sides for alcove or other installation types.
- Optional factory-installed tile flange available to ensure watertight seal for alcove or other installation types. Must specify left- or right-hand drain on order.
- Includes an integrated overflow with toe tap drain in chrome finish. May be specified without an overflow (see local codes before ordering without an overflow).
- Air baths require job site preparation for remote installation of the blower and required check valve. Check valve must be installed higher than the rim of the tub.
- Waterproof remote control included with air bath. Keypad shipped loose may be remote mounted on nearby surface/wall.
- Numbered areas on tub deck represent possible locations to install faucets and other fixtures.

• Before discarding tub crate, check for accessories that may be packaged inside.  
 • All product measurements are ±1/2".  
 • Specifications and configurations are subject to change without notice.  
 • Measurements herein supersede all others published prior to publication date below.



For more information on options and accessories go to SculptureStone® Tubs Options on mtibaths.com

**Akana**  
MODEL #: 131  
65.5" x 38" x 21.5"

- Blower & required check valve for airbath must be remote mounted.
- Check valve must be installed higher than the rim of the tub.
- See the Installation & Operation Manual for more details.

| Hydrotherapy    | Package Contents   | Part #        | MSRP            |
|-----------------|--|---------------|-----------------|
| <b>Soaker</b>   | Soaking bath - no jets. Includes an integrated slotted overflow with a toe-tap drain kit.                                | <b>S131</b>   | <b>\$10,975</b> |
| <b>Air Bath</b> | 20 air jets, heated air blower, keypad, waterproof remote control, integrated slotted overflow with a toe-tap drain kit. | <b>AST131</b> | <b>\$16,095</b> |

| Options <small>Must be ordered at time of purchase</small>  |
|---|
| <b>Quick Ship</b> (QSPRI2) <b>\$1,025</b> reduces lead time<br><i>Please call for availability</i>  |
| <b>Standard Color</b> White, matte finish<br><b>Biscuit Color Upgrade</b> (SSBI) <b>\$310</b> matte finish<br><i>Additional material colors available for projects only. Please call MTI.</i> |
| <b>Hand-Polished Deep Gloss Finish</b> (SSGLOSS3) <b>\$1,230</b> upcharge<br>For white or biscuit   |
| Accessories   |
| <b>Teak Bath Mat</b> (TKMAT3018) <b>\$815</b> Measures 30" x 17.5" x 1"<br><i>Custom sizes also available. Contact MTI for details.</i>   |
| <b>Floor-Mounted High-Flow Tub Filler</b><br>Contemporary<br>Chrome (FILLC) <b>\$1,480</b><br>Brushed Nickel (FILLBN) <b>\$1,710</b>  |
| <b>SculptureStone® Tub Tray</b><br>Without Stemware Holder (SSTRAY1) <b>\$340</b><br>With Stemware Holder (SSTRAY2) <b>\$450</b><br><i>Color and finish will come matched with tub</i>        |
| <b>Teak Tub Tray</b><br>Slatted (TK-TRAY1) <b>\$500</b> Solid (TK-TRAY2) <b>\$570</b><br><i>Order with tub for best fit</i>   |

| Boutique Accessories  |
|---|
| <b>Packaging / Handling Fee Applies</b>   |
| <b>SculptureStone® Bathroom Table</b> (TABLE) <b>\$825</b> matte finish<br>+ <b>\$410</b> gloss finish upcharge (SSGLOSSSNK)<br><i>Order with tub for best color match</i>  |
| <b>SculptureStone® Standard Faucet Stand</b><br>Small - 3-hole capacity<br>14¼" w x 20½" h<br>Matte (STAND) <b>\$725</b><br>Large - 5-hole capacity<br>22" w x 21½" h<br>Matte (STANDL) <b>\$855</b><br>+ <b>\$410</b> gloss finish upcharge (SSGLOSSSNK)   |
| <b>SculptureStone® Premium Faucet Stand</b><br><b>15" w x 39" h</b><br>Matte (SSFSR3915MT) <b>\$2,365</b><br>Gloss (SSFSR3915GL) <b>\$2,720</b><br><b>10" w x 39" h</b><br>Matte (SSFSR3910MT) <b>\$2,135</b><br>Gloss (SSFSR3910GL) <b>\$2,525</b><br><b>20" w x 23" h</b><br>Matte (SSFSR2320MT) <b>\$1,930</b><br>Gloss (SSFSR2320GL) <b>\$2,315</b><br><b>15" w x 23" h</b><br>Matte (SSFSR2315MT) <b>\$1,825</b><br>Gloss (SSFSR2315GL) <b>\$2,180</b> |

**Drains & Overflow Kits** Must be ordered at time of purchase

| Toe Tap Drain Cover Finishes                                   |
|--|
| PVC drain - Chrome included                                    |
| + <b>\$50</b> upcharge Br. Nickel (WIOBN), Pol. Nickel (WIOPN) |
| + <b>\$85</b> upcharge Matte Black (WIOMB)                     |
| + <b>\$105</b> upcharge Oil-Rubbed Bronze* (WIOOR)             |
| + <b>\$640</b> upcharge Special Finish* (WIOSF)                |
| <i>Send finish sample to MTI Baths for best match.</i>         |

| Toe Tap SculptureStone® Drain Cover Finishes   |
|--|
| Upgrade is in lieu of standard chrome to tap drain cover.                            |
| White only   |
| + <b>\$90</b> upcharge Matte Finish (SSWIOMT)  |
| + <b>\$110</b> upcharge Gloss Finish (SSWIOGL)                                       |
| <b>Brass Tailpiece</b> (WIOBS) <b>\$85</b> in addition to finish charge listed above |
| <b>Quick Drain Kit</b> (WQQ) <b>\$460</b>  |

\* MTI has selected an oil-rubbed bronze finish that is compatible with Delta and many other manufacturers. To ensure best match, order as a Special Finish and submit a sample.  
CSA # MTCT-131

\* Allow 2-4 weeks lead time for Special Finishes.  
Send sample for best match.

