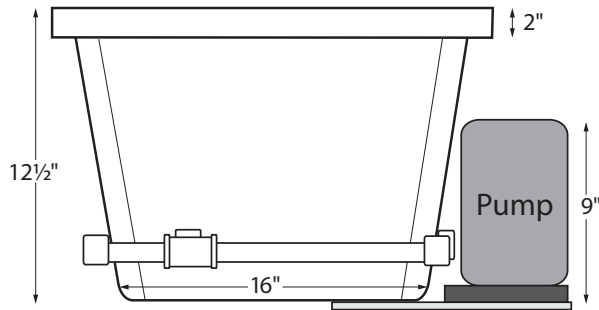
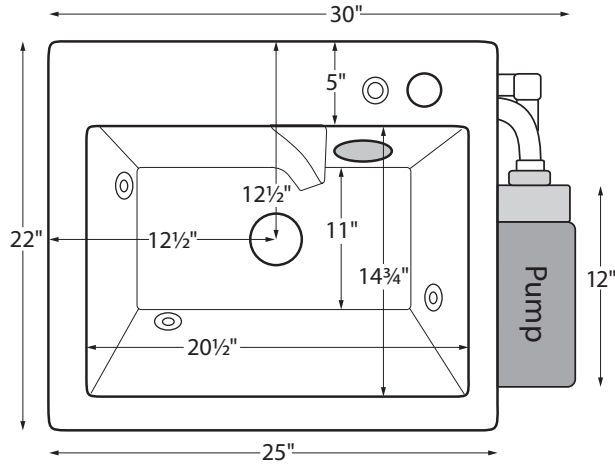


Jetted Laundry Sink 2

Part # - MTL-120J

25" x 22" x 12.5" deep
Total width including pump: 30"



CSA # MTL-120J

NOTE: MTI recommends a single-lever type faucet, either with or without pull-out sprayer.

Before ordering or installing, please consider future access to equipment.



U.S. Pat # 6,289,530

OPTIONS

- White - (MTLS-120JW) **\$1,420**
- Biscuit - (MTLS-120JB) **\$1,430**

ACCESSORIES

- Timer - 10 min. *Installed at time of purchase (JJT)* **\$160**
- Drain Kit
 - Chrome (JJDKC) **\$230**, Brushed Nickel (JJDKBR) **\$350**
- Soft Scent - Laundry Sink Detergent
 - Pack of 3 (JJSOLBOT) **\$85**
 - Case of 12 (JJSOL) **\$135**
- Shipping Weight: 37 lbs

CONSTRUCTION AND STANDARD FEATURES

- Hole cutout should be 24" x 21" with 1" radius corners. Extend countertop / cabinet on right to accommodate pump.
- Durable cast acrylic shell is extremely scratch- and stain-resistant.
- Non-porous, highly renewable surface.
- Reinforcement consisting of multi-layered backing of thick fiberglass / resin / titanium.
- 3 micro-jets.
- 1.0 bhp pump and suction fitting with removable filter.
- On / off control and 3-speed control knob.
- Accommodates 3.5" kitchen sink drain.
- Integrated washboard front and recessed soap dish in back.
- Comes without faucet holes. Up to 3 holes drilled by MTI at no additional charge upon request. Must specify location.
- Can be undermounted. Must be specified at the time of order. Controls will be sent loose for on-site installation.
- Limited Residential Warranty: 5 years on sink shell; one year on all other components.

ELECTRICAL COMPONENTS & SPECIFICATIONS		
Required Electrical Service - 110 Volts		
Hydrotherapy Package	Components Included	GFCI
Whirlpool	1 hp pump	1-15 amp
See specific option details or installation information. CSA Certified C/US; ANSI Z124.1, Z124.6 1997 and ANSI 112.19.7 ASTM D2565		

- Before discarding tub crate, check for accessories that may be packaged inside.
- All product measurements are ±1/2".
- Specifications and configurations are subject to change without notice.
- Measurements herein supersede all others published prior to publication date below.

See the Installation & Operation Manual for more details.
MTI's Customer Service: Monday-Friday 8am-6pm EST
800-783-8827 or service@mtibaths.com

