

MTI BASICS® Tubs
MBOFS6636A

66" x 36" x 21.75"

GENERAL SPECIFICATIONS:

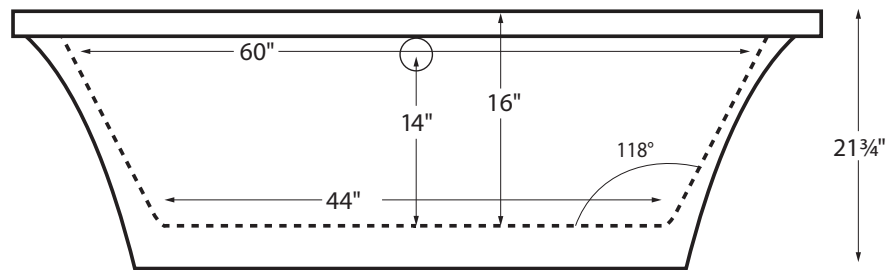
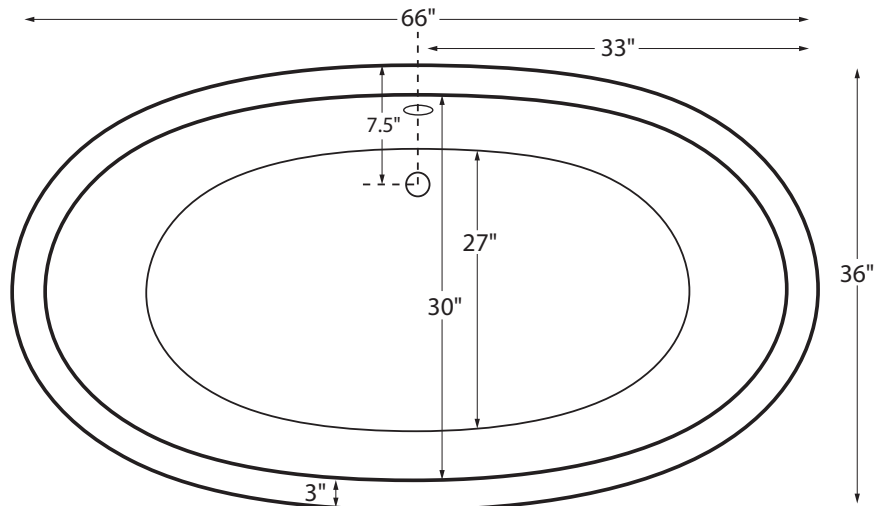
Installation: Freestanding

Material: Acrylic

Soaker Weight: 125 lbs / 57 kg

Maximum Fill: 60 gal to overflow

NOTE: Filling this tub to the maximum may require an above average size or dedicated water heater.



IMPORTANT ORDERING & INSTALLATION INFORMATION:

- Freestanding tub is designed to install on a finished floor that is flat and level.
- Tub has room between tub walls on the drain side and underneath for plumbing connections roughed-in above the finished floor.
- This tub model includes an access panel as a standard feature for drain, optional Virtual Spout, and on select models, valve set installation.
- Access panel is visibly located behind the waste and overflow. Please consider access panel visibility before ordering and when planning final installation position.
- Access panel dimensions vary according to tub model and design. Tubs featuring an integrated faucet deck for valve installation will have a larger opening and panel size for easier installation.
- Access panel can be eliminated by request at the time of ordering, which will increase installation difficulty.
- The Virtual Spout is installed below the water level of the tub. MTI supplies a Wilkins dual check valve and an Acme in-wall atmospheric vent to backsiphonage. However, some areas of the country require additional backflow prevention when water is introduced to the bath below the water level. Please check local codes.
- Options listed cannot be combined with Designer Collection options.

• Before discarding tub crate, check for accessories that may be packaged inside.
 • All product measurements are $\pm 1/2"$.
 • Specifications and configurations are subject to change without notice.
 • Measurements herein supersede all others published prior to publication date below.



PACKAGE	PACKAGE CONTENTS	PART #
Soaker	Soaking bath - No jets. Includes pre-leveled foam base.	MBOFS6636A
Soaker With Virtual Spout	Soaking bath - No jets. Includes Virtual Spout integrated high-flow tub filler (see important ordering information), pre-leveled foam base.	MBOFS6636AVS

OPTIONS (Must be ordered at time of purchase)
Standard White (no charge) Color Upgrade: Biscuit (MTISCOLOR)
Quick Drain Connect Kit - Not available seperately, must be ordered with tub. Standard (MBQUICK) Cast Iron (MBQUICKCI)

ACCESSORIES.
Lift and Turn Drain & Overflow Chrome (MBWOC) Brushed Nickel (MBWOBN) White (MBWOW)
Pillows Soft Pillow White (MBPSW) Black (MBPSB) Roll-Up Pillow Light Aqua (MBPRUC) Black (MBRUB)



Features a larger space underneath the tub for an above floor rough-in for quick and easy installation.

Drain assembly is not included with tub. Optional Quick Drain Connect Kit shown above at floor level is available for purchase with tub.