



Buy it for looks. Buy it for life.®

*There is more than 1 version of this model.  
Page down to identify the version you have.*

#### FAUCET DESCRIPTION

- Metal construction with chrome plated finish
- Inlet shanks will accept 3/8" ball nose connections


#### OPERATION

- Mini blade style handles with hot and cold color indicators

#### CARTRIDGE

- 1224 cartridge design

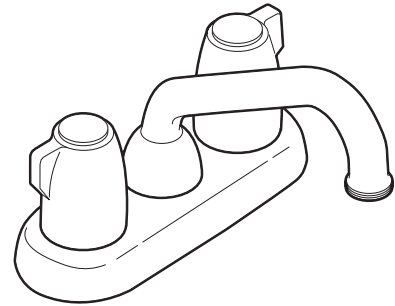
#### STANDARDS

- Designed and manufactured to comply with the requirements of: CSA B-125 and ASME A112.18.1M and all applicable specifications referenced therein
- ADA  for lever handles

#### WARRANTY

- Lifetime limited warranty against leaks, drips and finish defects to the original homeowner
  - 10 year limited warranty when used in a multifamily installation
  - 5 year limited warranty when used in a commercial installation
- Visit [www.moen.com/support](http://www.moen.com/support) for complete details and limitations

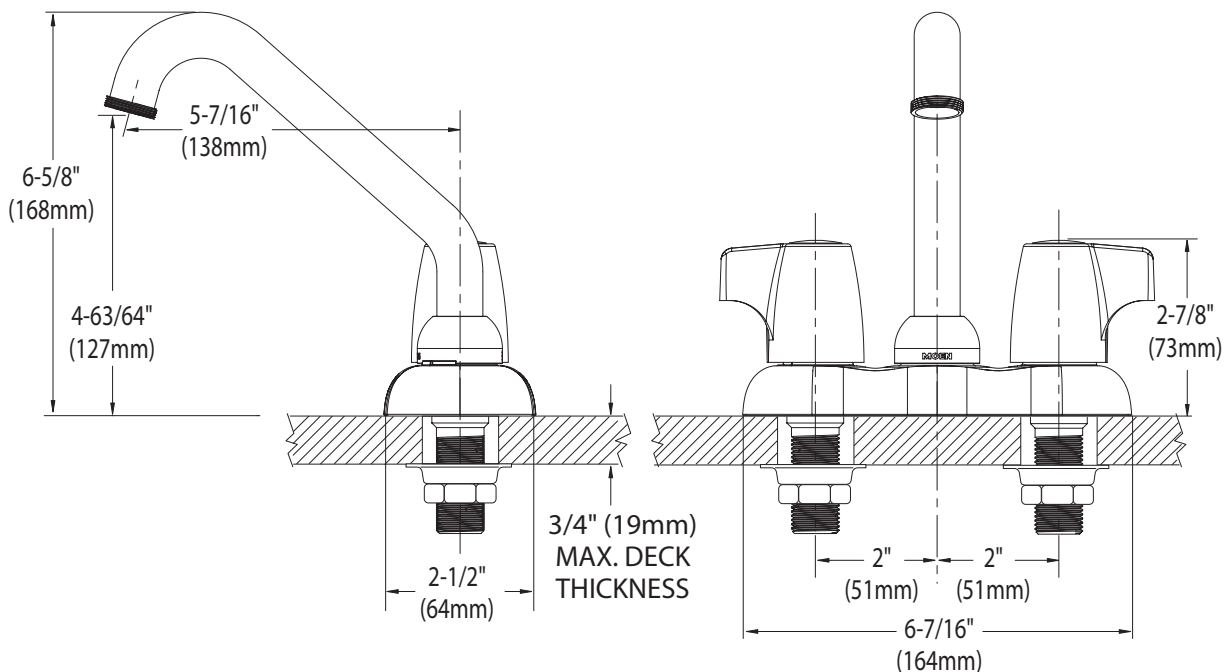
# Specifications



**MOEN®**  
**Two Handle Laundry Faucet**

**Model:** 74998

**NOTE:** Designed to be installed through  
2 - 1" min. dia. holes 4" on center



### **CRITICAL DIMENSIONS** (DO NOT SCALE)



Buy it for looks. Buy it for life.®

# Specifications

## FAUCET DESCRIPTION

- Chrome plated metal construction


## OPERATION

- Small lever style

## CARTRIDGE

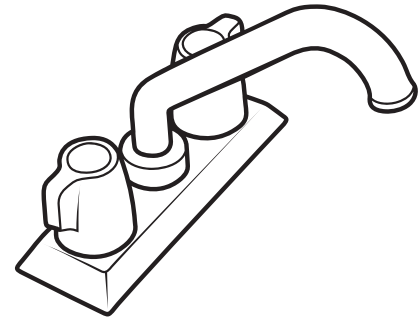
- 1224 cartridge design

## STANDARDS

- Designed and manufactured to comply with the requirements of: CSA B-125 and ASME A112.18.1M and all applicable specifications referenced therein
- ADA  for lever handles

## WARRANTY

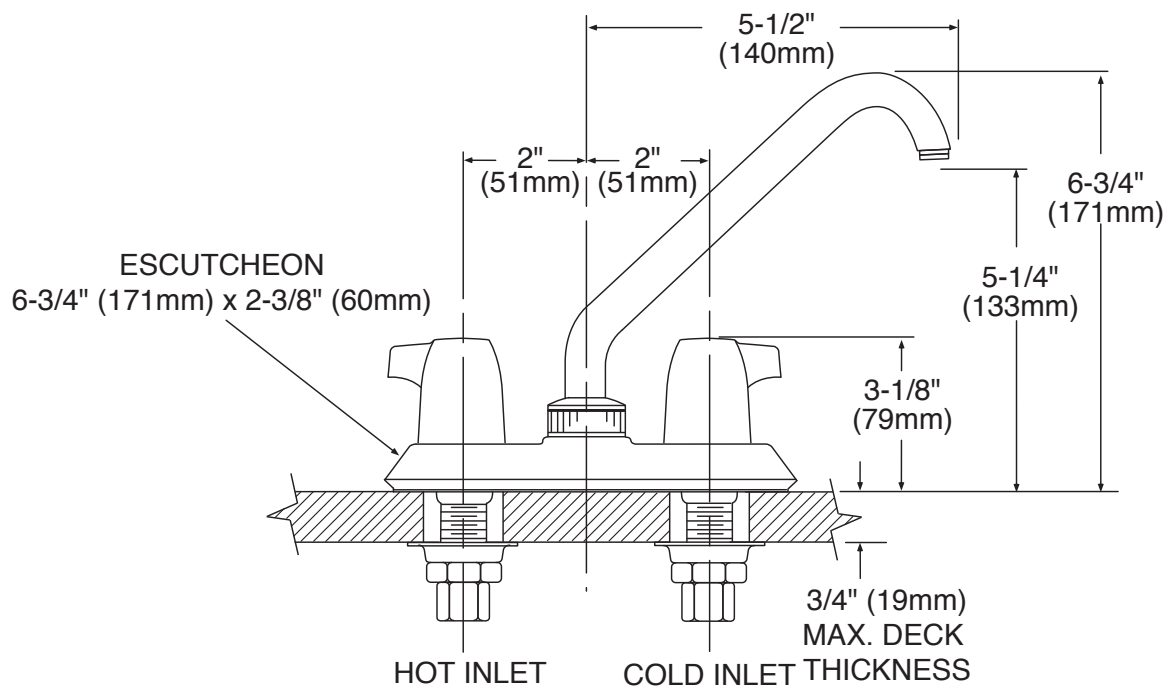
- Lifetime limited warranty against leaks, drips and finish defects



**MOEN®**  
**Two Handle Laundry Faucet**

**Model:** 74998

**NOTE:** DESIGNED TO INSTALL  
THROUGH 2 HOLES 1" (25mm) MIN. DIA.  
AND 4" (102mm) ON CENTER



## **CRITICAL DIMENSIONS** (DO NOT SCALE)