



Buy it for looks. Buy it for life.®

Specifications

DESCRIPTION

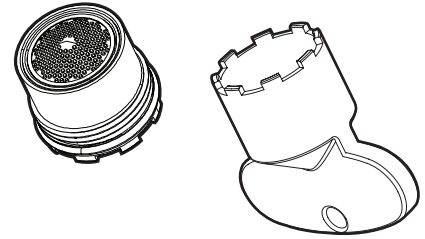
- Non-metallic
- Pressure compensating
- Includes aerator removal tool

STANDARDS

- Meets requirements of: ASME-A112.18.1/CSA B125.1 and NSF 61/9 & 372

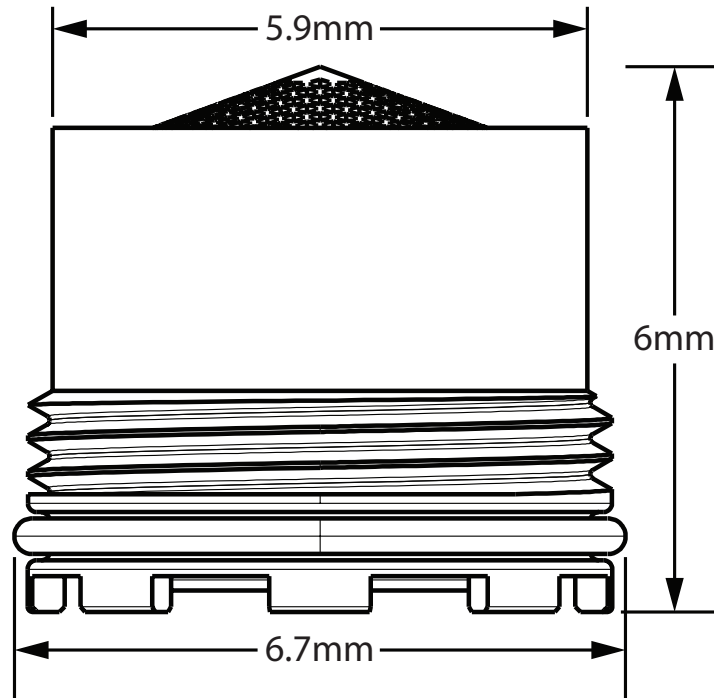
WARRANTY

- Warranted for 5 years against material or manufacturing defects when used in commercial applications



Aerator – Laminar Flow
0.5gpm (1.9 L/min)

Model: 175083



CRITICAL DIMENSIONS

(DO NOT SCALE)