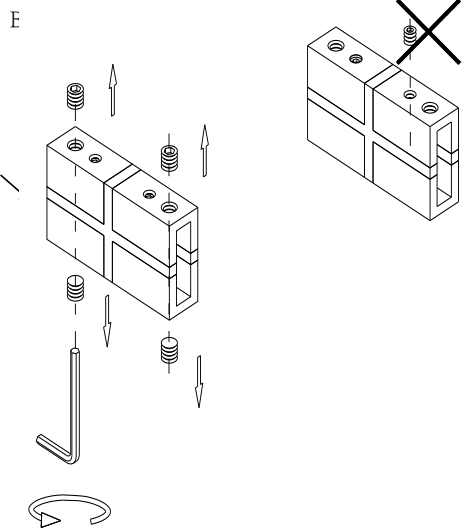
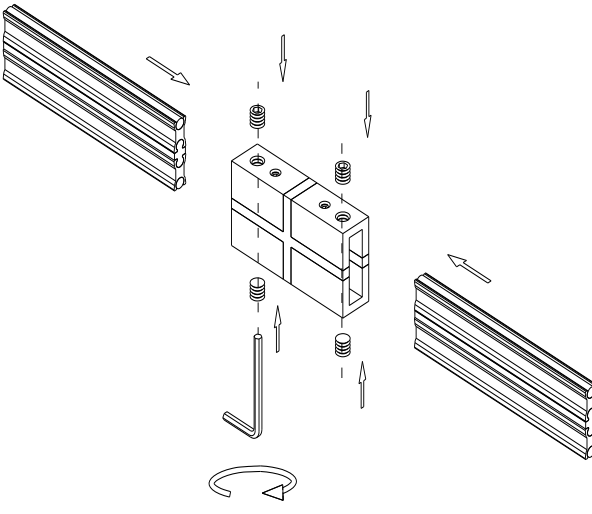
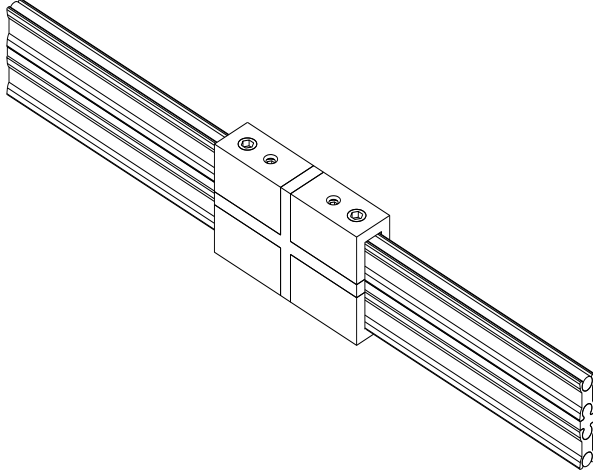


Installing The Connector GKCE/GKCI/GKCT/GKCX/GKCL-A/GKCL-C

The connector is used to connect two rails. Follow the step-by-step instructions below.

 <p>E</p>		
<p>1. Loosen the 4 Allen Screws (A) using Allen Wrench provided. Don't remove Allen Screw completely (B).</p>	<p>2. Insert the rail, then tighten the screw by allen wrench.</p>	<p>3. Finally, check to insure rail is tight and secure.</p>