

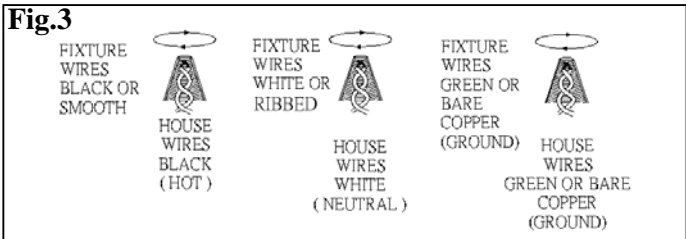
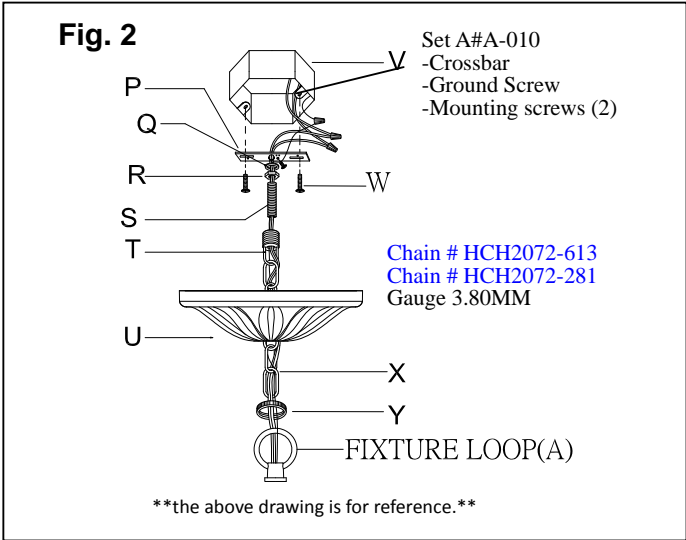
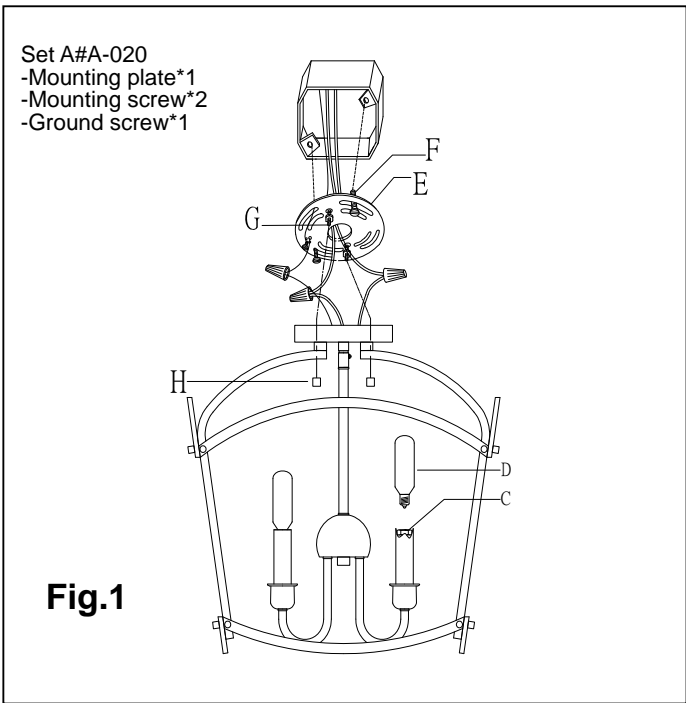
**WARNING! SHUT POWER OFF AT FUSE OR CIRCUIT BREAKER.
AVERTISSEMENT! COUPER LE COURANT AU NIVEAU DES FUSIBLES OU DU DISJONCTEUR.**

MOUNTING THE FIXTURE (FIG. 1)

1. Shut off the power supply at the fuse box or circuit breaker. If necessary, remove the old fixture from wall. Including the mounting hardware.
2. Carefully remove the new fixture from the carton and check that all parts are included as shown in the illustration.
3. Install the bulb (D) (included) in accordance with fixture's specifications. **(DO NOT EXCEED THE MAXIMUM WATTAGE RATING!) (NE PAS DEPASSER LA PUISSANCE NOMINALE MAXIMALE!).**
4. This fixture could be installed as semi-flush mount and hanging fixture. **If installed as semi-flush, pls follow the below installation steps:**
5. Attach the mounting plate (E) to the outlet box using the outlet box screws (F). The side of the mounting plate marked "GND" must face out.
6. Follow the wiring instructions carefully (See Fig.3).
7. Attach fixture canopy over the mounting plate (E) by protruding the mounting screw (G) through the mounting holes on the canopy and securing with ball nut (H) tightly.
8. **If installed as hanging fixture, pls follow the below installation steps:**
9. Thread one end of nipple (S) into the crossbar (P), then place lock washer (Q) and hex nut (R) over the end of nipple (S), then thread hex nut (R) until snug.
10. Thread the ceiling loop (T) onto the nipple (S) until snug.
11. Take this crossbar assembly and mount to the ceiling outlet box (V) using outlet box screws (W). The side of crossbar (P) marked "GND" must face out.
12. Use proper chain pliers to open one end link of the chain and connect to the fixture loop (A). Then close the link.
13. By measuring, determine the correct number of links needed for the desired hanging height. Using the chain pliers, disconnect and discard the remaining chain.
14. Slip the lock collar (Y) and canopy (U) over the chain (X). Allowing them to rest onto the fixture loop (A).
15. Open the other end link of the chain (X) and connect to ceiling loop (T). Then close the link.
16. Carefully lace the fixture wires through the chain (X).
17. Feed the fixture wires through the ceiling loop (T) and nipple (S) and pull tight.
18. Follow the wiring instructions carefully (See Fig.3).
19. Raise the canopy (U) to the ceiling, then raise the lock collar (Y) and thread onto the ceiling loop (T) protruding through the canopy (U).

CONNECTING THE WIRES (FIG. 3)

1. At this point, connect the electrical wires as shown in Fig. 3 making sure that all wire connectors are secured. If your outlet box has a ground wire (green or bare copper), connect the fixture's ground wire to it. Otherwise, connect the fixture's ground wire directly to the mounting strap using the green screw provided.
 2. Tuck the wire connections neatly into the ceiling outlet box.
- Your installation is now complete. Return power to the junction box and test the fixture.



Notice: It is important to use proper chain pliers (not included) to OPEN and CLOSE the chain included with this fixture. Do not open them with other tools that may twist or stress the chain links. It is important to use proper chain pliers like the ones shown in the diagram.

