

INSTALLATION INSTRUCTIONS

Item# 4165-584

READ AND SAVE THESE INSTRUCTIONS

WARNING! SHUT POWER OFF AT FUSE OR CIRCUIT BREAKER.

AVERTISSEMENT! COUPER LE COURANT AU NIVEAU DES FUSIBLES OU DU DISJONCTEUR.

ASSEMBLING THE FIXTURE (Fig.1)

1. Shut off the power at the fuse box or circuit breaker. If necessary, remove the old fixture, including the mounting hardware.
2. Carefully remove the fixture from the carton and check that all parts are included as shown in the illustration.
3. Determine the desired hanging height and thread rods (J1 and J2) to the nipple of the fixture body (K). Pass the wires carefully through each rod as you assemble.
4. Open the quick link (G) and remove loop (H), then secure loop (H) to nipple on top of the rod (J1), and connect to the quick link, then close the quick link.
5. Thread screws (A) into the pre-drilled holes in the circular strap (B) spaced the same distance apart as the holes in the canopy of the fixture body and secure with hex nuts (C).
6. Attach the circular strap (B) to the junction box using the mounting screws (D) (size: #8-32N*L0.5"). The side of circular strap (B) marked "GND" must face out.

CONNECTING THE WIRES (Fig. 2)

7. At this point, connect the electrical wires as shown in figure 2, making sure that all wire connectors are secured. If your outlet has a ground wire (green or bare copper), connect the ground wires from the hanger ball and mounting plate to it. Otherwise, connect the ground wire from the hanger ball directly to the mounting plate ground wire and secure with the wire connectors provided. After wires are connected, tuck them carefully into the ceiling junction box.

COMPLETING THE INSTALLATION (Fig. 1)

8. Align the canopy (E) over the circular strap (B) and secure with cap nuts (F).
9. Install the light bulbs (not included) in accordance with the fixture's specifications. **(DO NOT EXCEED THE MAXIMUM WATTAGE RATING!) (NE PAS DEPASSER LA PUISSANCE NOMINALE MAXIMALE!).**

Your installation is now complete. Return power to the junction box and test the fixture.

Note: Illustration (Fig. 1) on this manual is for installation purposes only. It may or may not be identical to the fixture purchased.

Hardware Bag:

- J1. ROD 6"*1
- J2. ROD 12"*3

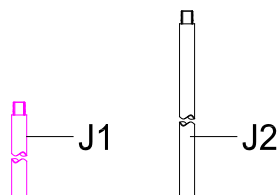


Fig. 1

Set # A-020
 -Circular strap
 -Ground Screw
 -mounting screws *2

Rod#
[W30-H-84*1\(J1\)](#)
[W30-1-84*3\(J2\)](#)

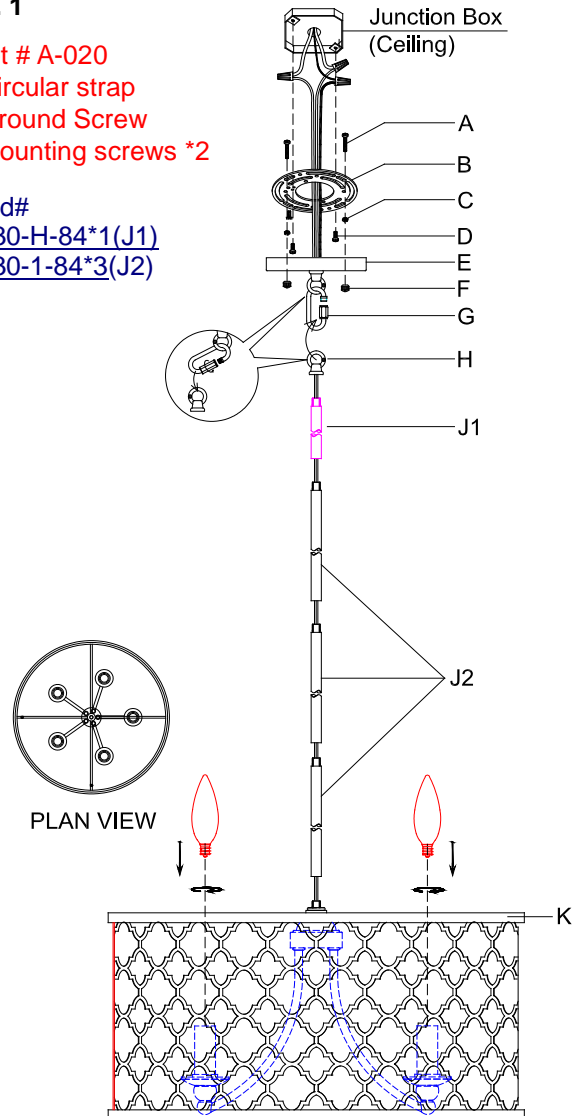


Fig. 2

