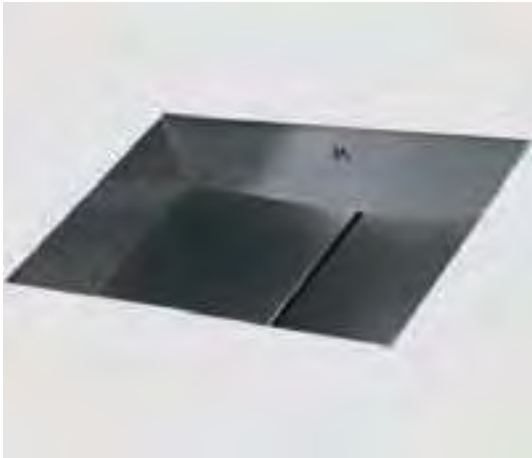
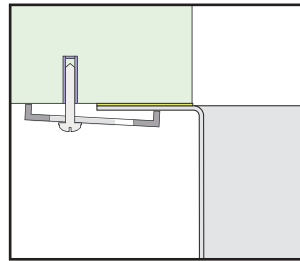
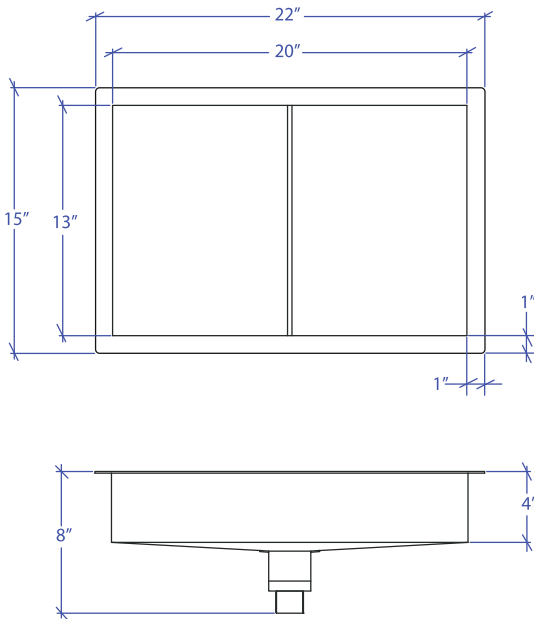


FLATIRON MUB-302GPSB

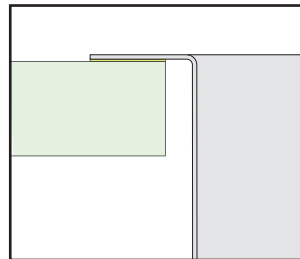


*ADA compliant

- FEATURES**
 16-gauge type 304 stainless steel
 90° zero radius design
- TECHNICAL INFORMATION**
 External dimension: 22"Lx15"Wx4"D
 Basin dimensions: 20"Lx13"Wx4"D
- FINISHES**
 Gray PVD Satin Brushed stainless steel
- INSTALLATION OPTIONS**
 Top-mount
 Under-mount
- MINIMUM CABINET SIZE (I.D.)**
 Flush-mount 23"
 Top-mount 25"
- DUAL-MOUNT INSTALLATION**



Under-mount



Top-mount

PROJECT INFORMATION			
Project			
Date	/ /	QTY	
Specifier			
Contact			
Note			