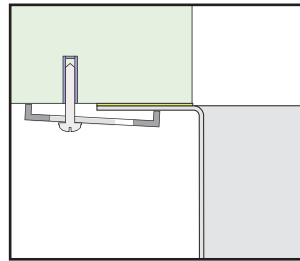
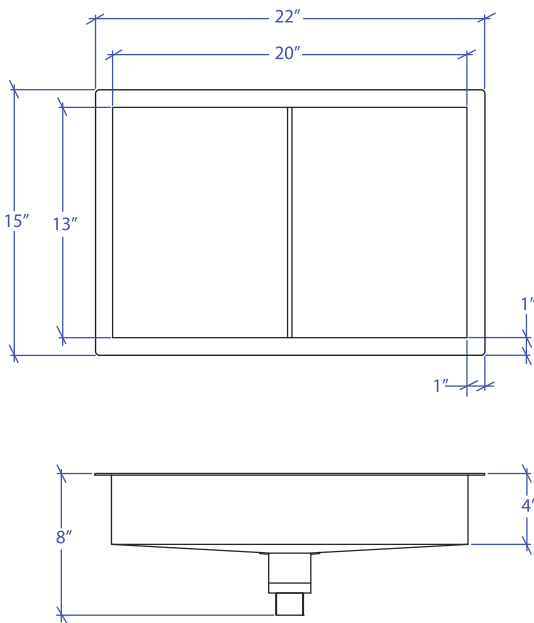


FLATIRON MUB-302GDSB

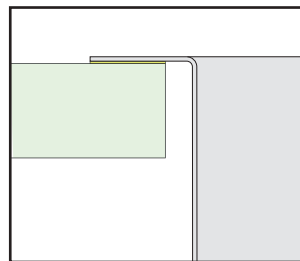


*ADA compliant

- **FEATURES**
16-gauge type 304 stainless steel
90° zero radius design
- **TECHNICAL INFORMATION**
External dimension: 22"Lx15"Wx4"D
Basin dimensions: 20"Lx13"Wx4"D
- **FINISHES**
Gold PVD Satin Brushed stainless steel
- **INSTALLATION OPTIONS**
Top-mount
Under-mount
- **MINIMUM CABINET SIZE (I.D.)**
Flush-mount 23"
Top-mount 25"
- **DUAL-MOUNT INSTALLATION**



Under-mount



Top-mount

PROJECT INFORMATION			
Project			
Date	/ /	QTY	
Specifier			
Contact			
Note			