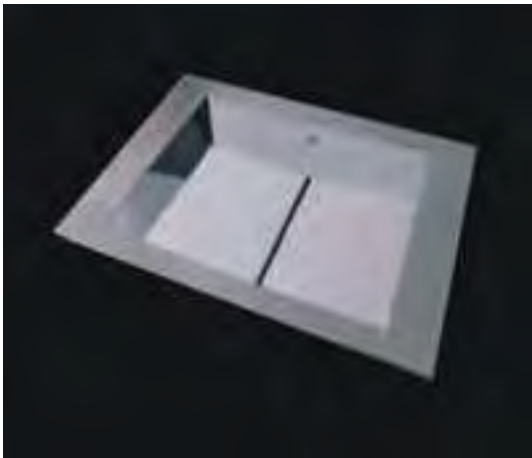
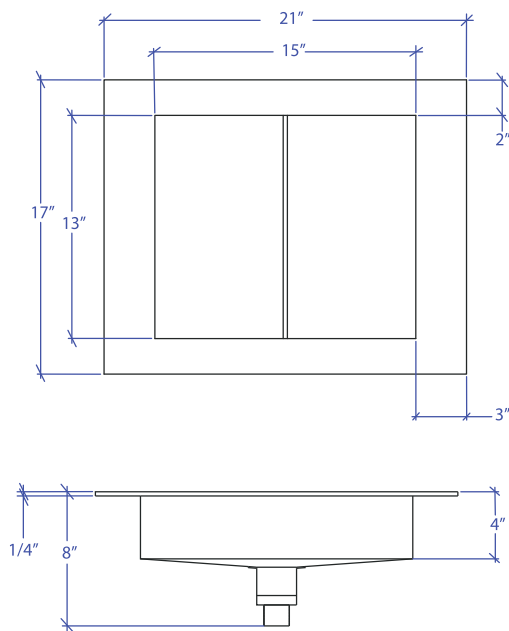


# ATELIER MTB-301PSB

2 TONE FINISH



\*ADA compliant



## • FEATURES

16-gauge type 304 stainless steel  
TRI-MOUNT™ installation system

## • TECHNICAL INFORMATION

External dimension: 21"Lx17"Wx4"D  
Basin dimensions: 15"Lx13"Wx4"D  
Frame width: 2"/3"  
Frame thickness: 1/4"

## • FINISHES

Frame: Satin Brushed stainless steel  
Basin: Polished Mirror Finish

## • INSTALLATION OPTIONS

Flush-mount  
Top-mount

## • MINIMUM CABINET SIZE (I.D.)

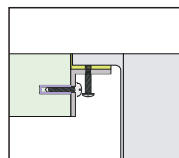
Flush-mount 24"  
Top-mount 23"

## • INDUSTRY'S ONLY STAINLESS STEEL SINK DESIGNED SPECIFICALLY TO BE FLUSH-MOUNTED

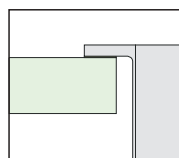
• U.S. PATENT NO. 9,988,799

• CANADIAN PATENT NO. 2579506

## • INSTALLATION

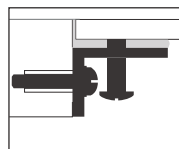


Flush-mount



Top-mount

## • ACCESSORY



MTK-115AL  
Mounting Kit

PROJECT INFORMATION			
Project			
Date	/ /	QTY	
Specifier			
Contact			
Note			

BATHROOM DUAL-MOUNT