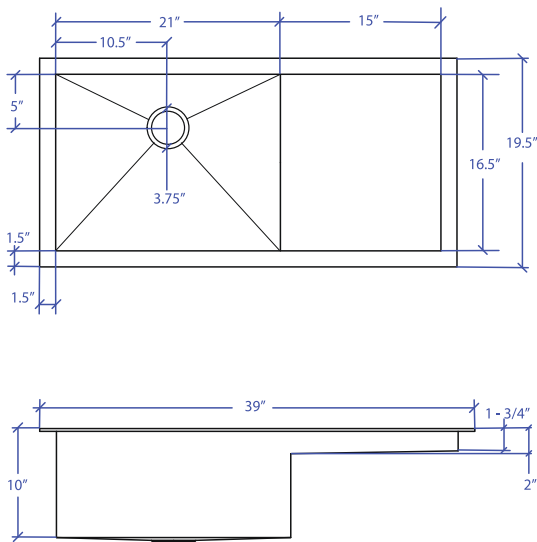


ATELIER MPS-652SB



**Custom ADA compliant sinks are available*



• FEATURES

16-gauge type 304 stainless steel
TRI-MOUNT™ installation system

• TECHNICAL INFORMATION

External dimension: 39"Lx19.5"Wx10"D
Basin dimensions: 21"Lx16.5"Wx10"D
Prepboard: 15"
Frame width: 1-1/2"
Frame thickness: 1/4"

• FINISHES

Satin Brushed stainless steel

• INSTALLATION OPTIONS

Flush-mount
Top-mount
Under-mount

• MINIMUM CABINET SIZE (I.D.)

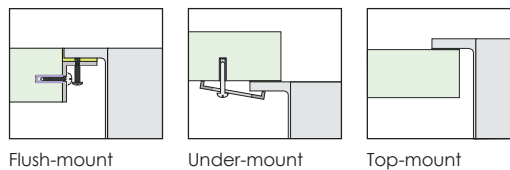
Flush-mount 41"
Top-mount 38"
Under-mount 42"

• INDUSTRY'S ONLY STAINLESS STEEL SINK DESIGNED SPECIFICALLY TO BE FLUSH-MOUNTED

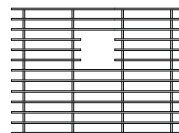
• U.S. PATENT NO. 9,988,799

• CANADIAN PATENT NO. 2579506

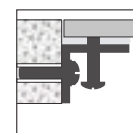
• TRI-MOUNT INSTALLATION



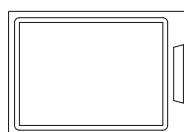
• ACCESSORIES



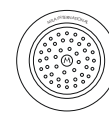
MBG-6508SB
Basin Grid



MTK-118AL
Mounting Kit



MCB-651BB
Cutting Board



MKD-101SB
Strainer

PROJECT INFORMATION			
Project			
Date	/ /	QTY	
Specifier			
Contact			
Note			