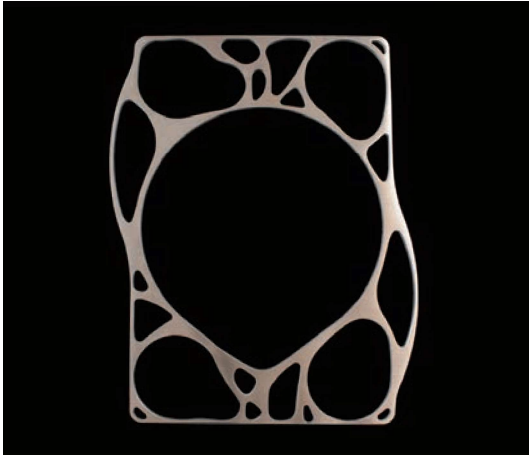


# SALAD MIXER MWSM-651SB



- **FEATURES**

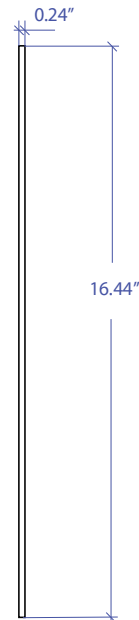
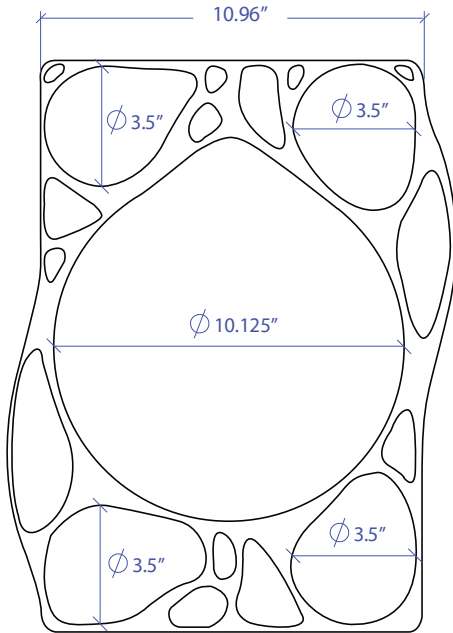
- Stainless steel construct
  - Removable salad mixer

- **TECHNICAL INFORMATION**

- Dimension: 16.44"Lx12.95"W
  - Thickness: 0.24"
  - Corner: 0.5" round

- **FINISHES**

- Satin Brushed stainless steel



PROJECT INFORMATION			
Project			
Date	/	/	QTY
Specifier			
Contact			
Note			