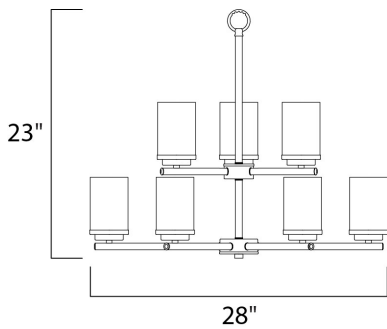




PRODUCT DESCRIPTION

Minimalistic frames finished in your choice of Oil Rubbed Bronze or Polished Chrome support cylinders of Frost glass shades. A clean contemporary look at a very affordable price.



MEASUREMENTS

DIMENSION : 28" L x 28" W x 23" H
 CANOPY : 5.12" W x 0.79" H x 5.12" L
 HANGING WEIGHT : 13.27 lb

LAMPING

INPUT VOLTAGE : 120V
 LUMENS : 0 Rated
 BULB : 9 x 60W Incandescent E26 Medium , 540W Total
 BULB INCLUDED : (Not Included)
 DIMMABLE : Yes

FINISHES OPTION

 Satin Nickel

GLASS

Frosted FT

MATERIAL

Steel + Glass

RATINGS

cULus
 Dry Location



ADDITIONAL

ADJUSTABLE
 OPERATING TEMPERATURE:
 -20°C (-4°F), 40°C (104°F)

Always consult a qualified electrician before installing any lighting product.



WESTERN DISTRIBUTION CENTER (HEADQUARTER)
 253 NORTH VINELAND AVE | CITY OF INDUSTRY, CA 91746

EASTERN DISTRIBUTION CENTER
 4200 SHIRLEY DR. | ATLANTA, GA 30336

P. 626.956.4200 | F. 626.956.4225 | maximlighting.com