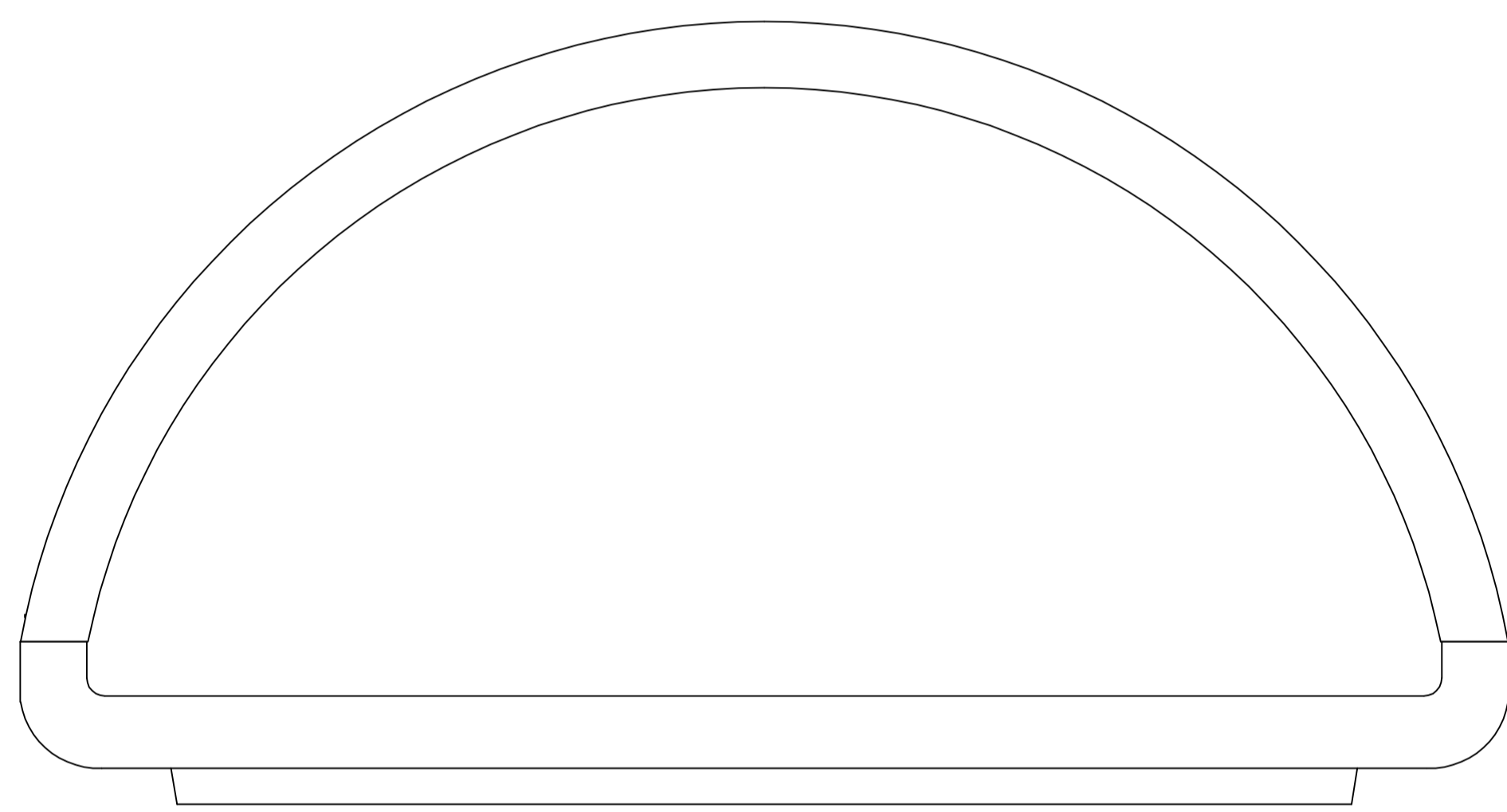




PRODUCT NAME: Zenith
ITEM NUMBER: 56197WTABZ

Please consult your electrician for hanging fixture and wiring.



To prevent water intrusion, caulk around back-plate where fixture meets the wall using outdoor silicone sealant. Leave a small gap at the bottom to allow moisture to exit.

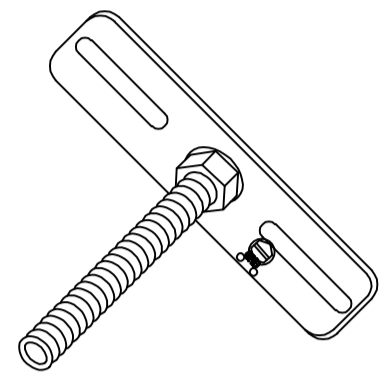
Bulb(included): 1×12W E26 LED

MADE IN CHINA

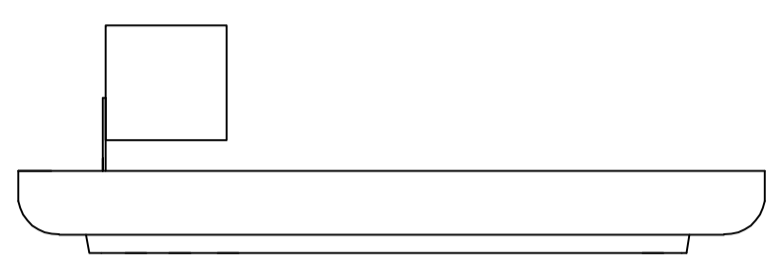


PRODUCT NAME: Zenith
 ITEM NUMBER: 56197WTABZ

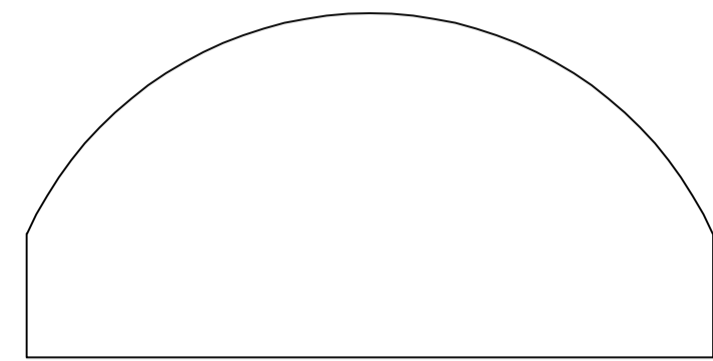
IMPORTANT: Turn off the power at the main fuse or circuit breaker box before starting installation.



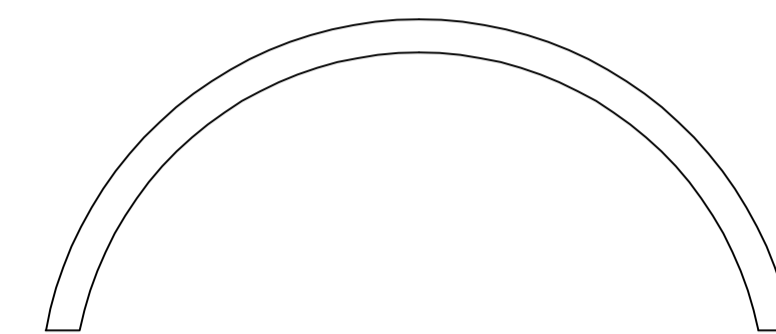
Bracket (A)



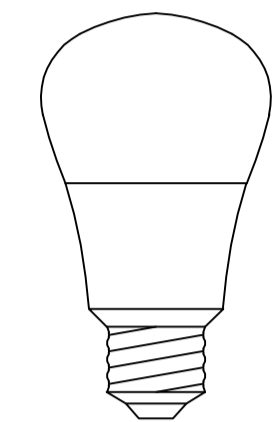
Fixture (B)



Lampshade (C)



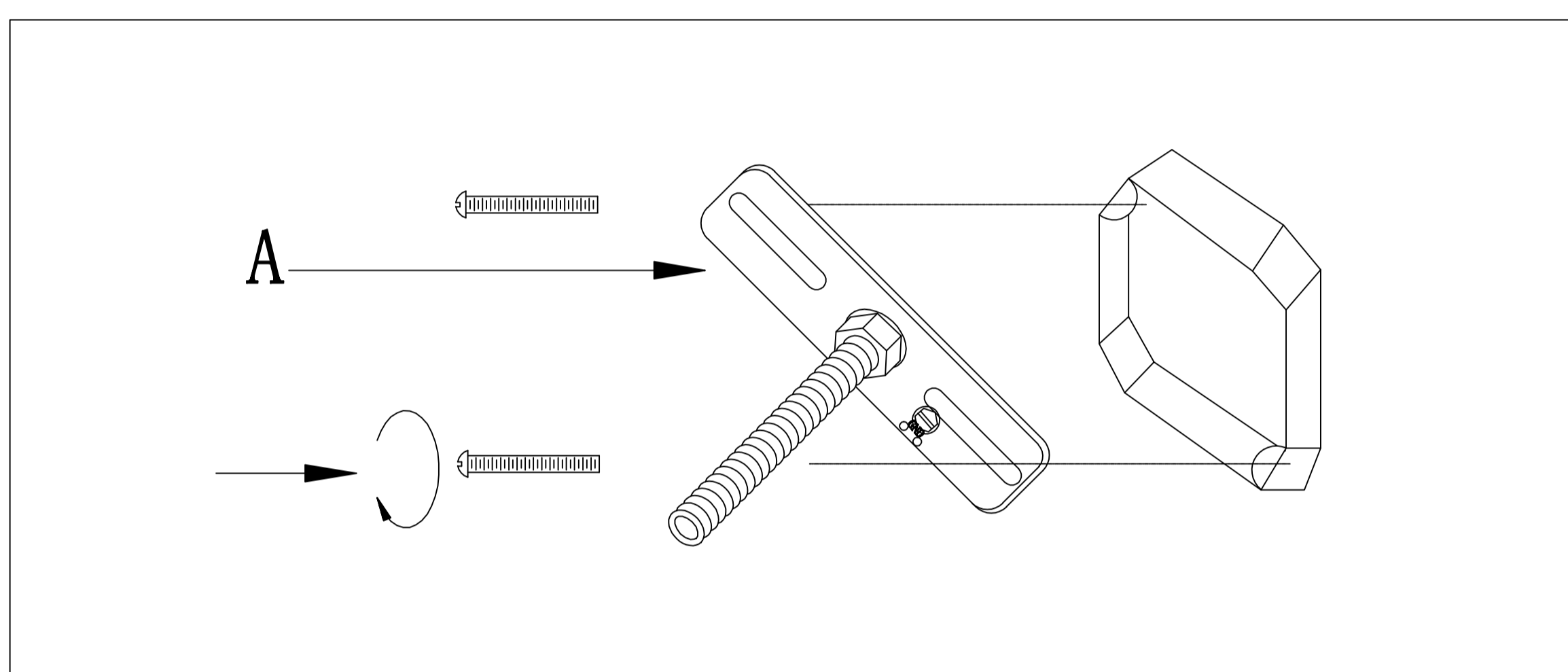
Cover (D)



E26
LED Bulb (E)

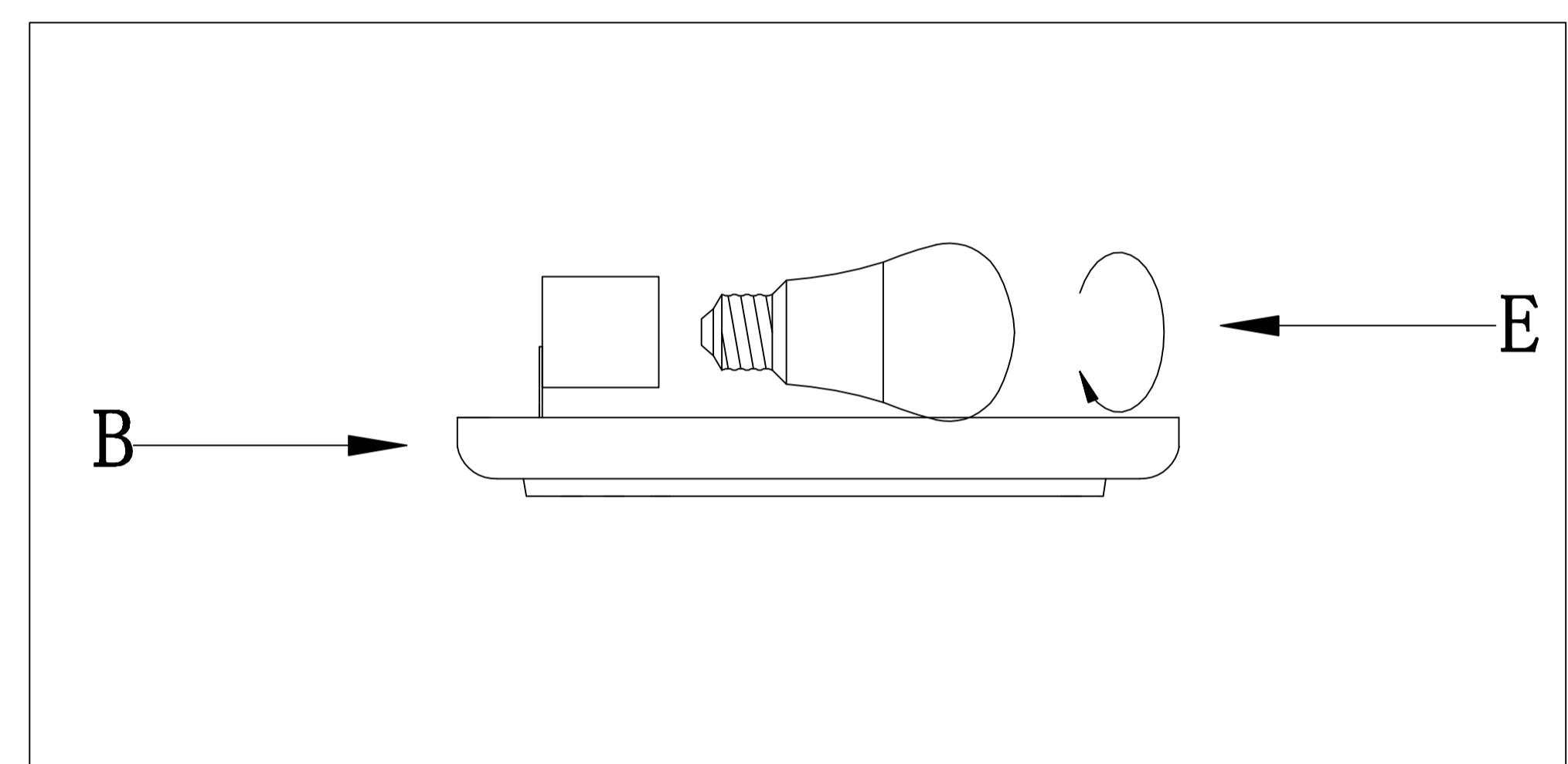
Locate all hardware & components before discarding packaging

1.)



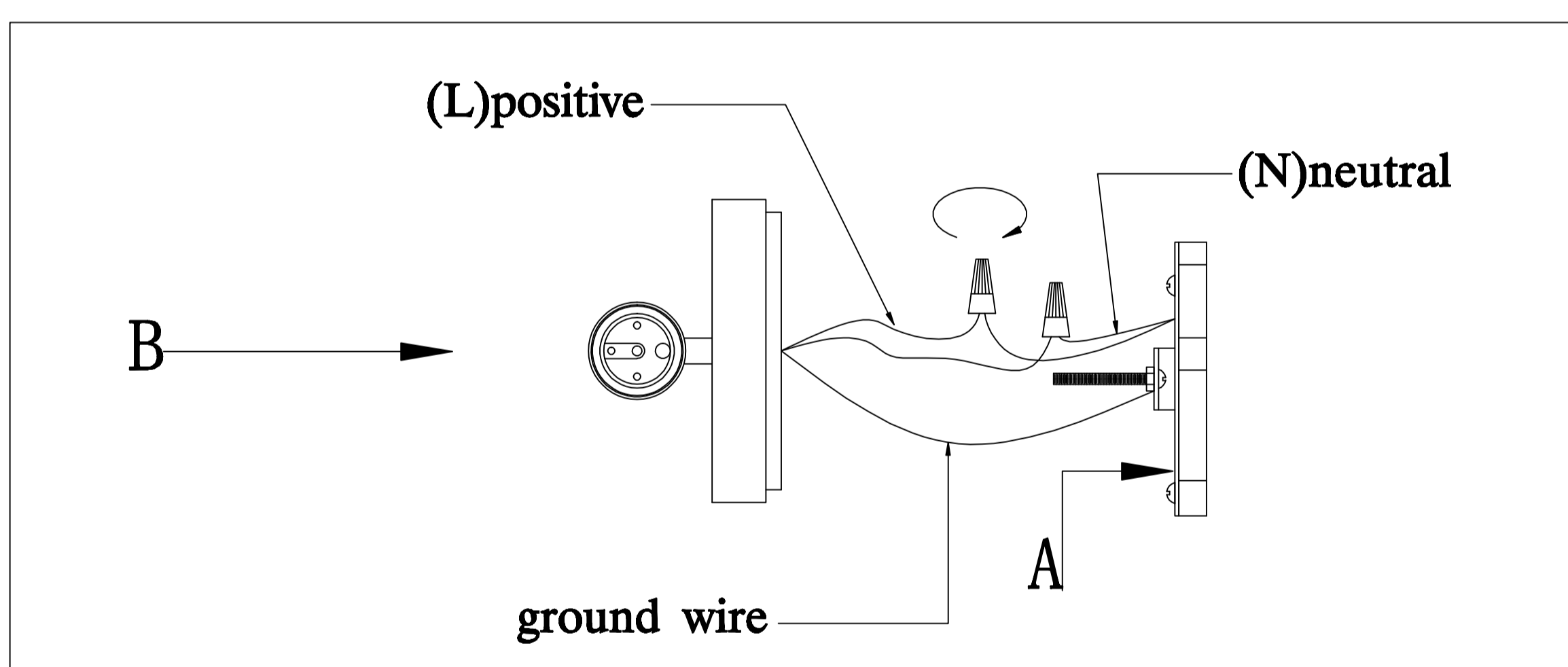
Step.1: Remove mounting bracket from fixture(B) and install to electrical box. then wire fixture to wires in outlet box. Copper wire is for Ground.

3.)



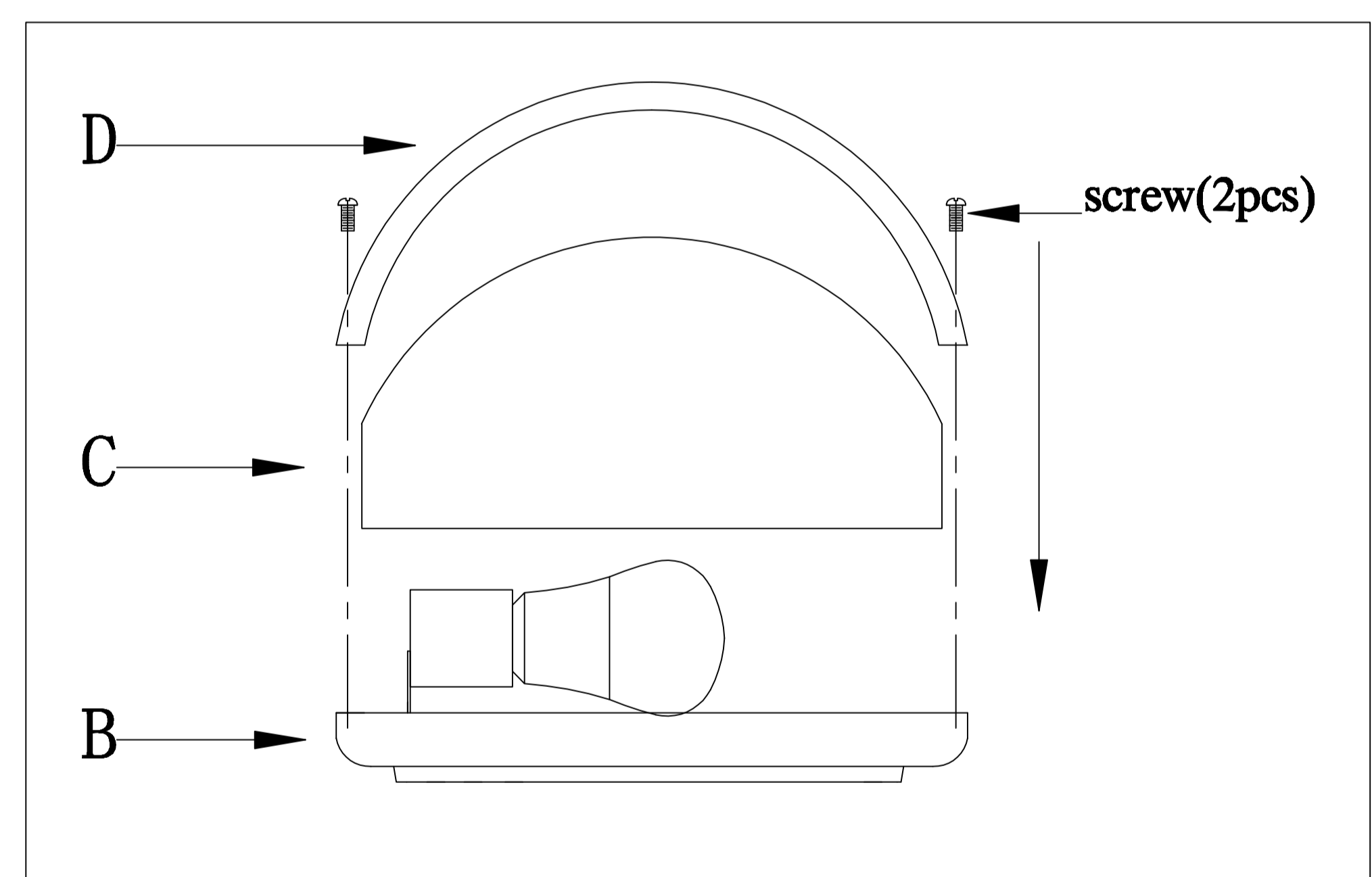
Step.3: Install E26 LED bulb(E).

2.)



Step.2: Attach back plate to mounting bracket and tighten ball nuts so fixture meets wall. Caulk fixture where back plate meets the wall with silicone sealant.

4.)



Step.4: Install the lampshade (C) and the cover (D) to fixture(B) using screws.

Cleaning & Care:

Clean with soft cloth and a mild detergent.
 Do not use abrasive cleaner.

MADE IN CHINA