



PRODUCT NAME: Early Electric 1LT Pendant  
NUMBER: 12121

Please consult your electrician for Hang fixture and wiring.

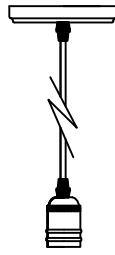


**Bulb (Not included) : 1\*MB 60W**

**IMPORTANT:** Turn off power at the main fuse or circuit breaker box before starting installation



(A) Bracket



(B) Body

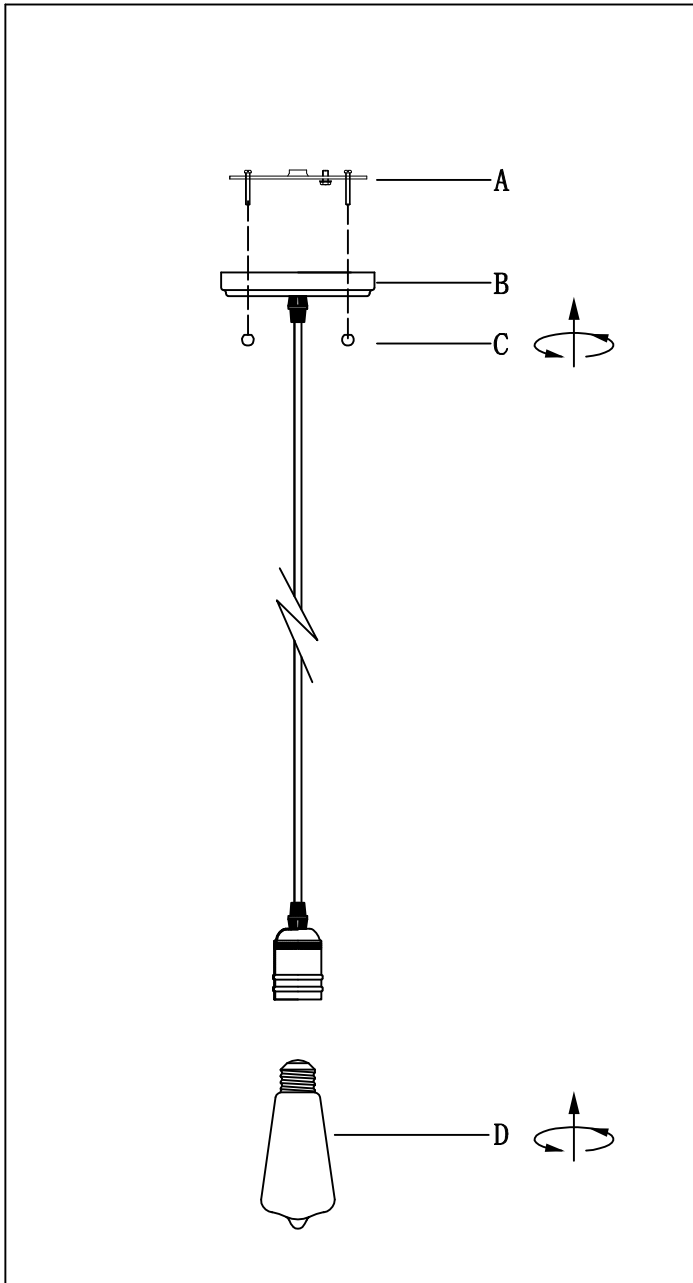


(C) Ball nut

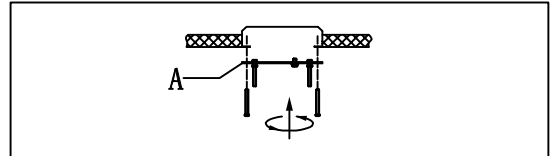


(D) Bulb

**Locate all hardware & components before discarding packaging**

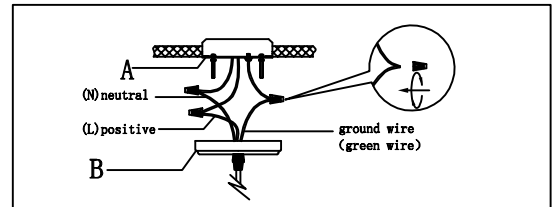


1.)



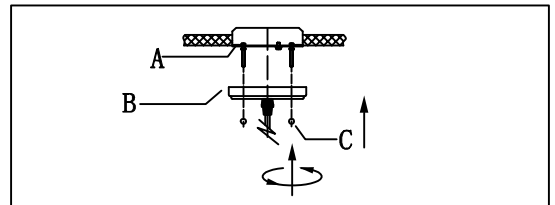
**Step. 1:** Remove mounting bracket (A) from fixture and install to electrical box.

2.)



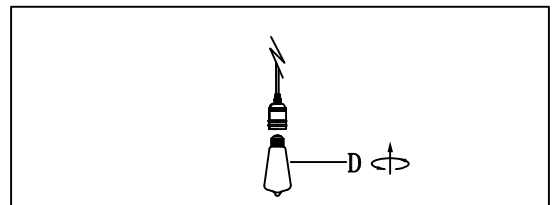
**Step. 2:** Wire fixture to wires in outlet box. Copper/Green wire is for Ground.

3.)



**Step. 3:** Install fixture to bracket and tighten ball nuts (C) on the canopy to secure.

4.)



**Step. 4:** Install the bulb (D).

**Cleaning & Care:**

Clean with soft cloth and a mild detergent.  
Do not use abrasive cleaner.