

Retro - 30"

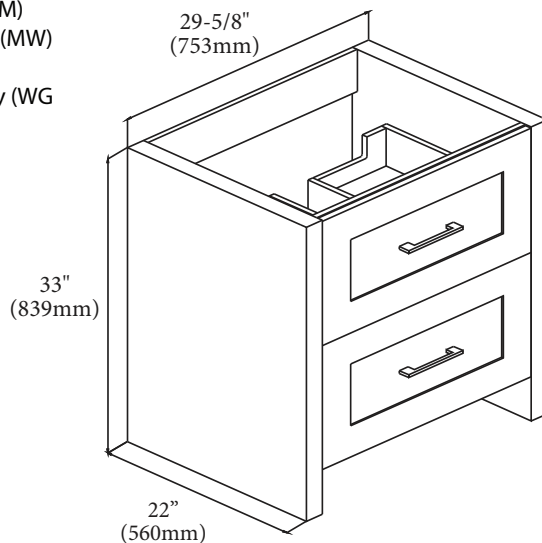
Specification & Installation Guide

Features

- Free Standing 30" vanity: 33" (839mm)H x 22"(560mm)D x 29-5/8" (753mm)W
- Furniture grade plywood layered with solid wood veneer and protected with several coats of polyurethane (No particle board or MDF used).
- Matching finish inside out
- Two 18" adjustable drawers with full-extension soft-close European hardware.
- Drawers include adjustable tempered glass dividers.
- Handle : Polished chrome or brushed nickel.

Colors/Finishes

- Cashmere (CM)
- Matte White (MW)
- Walnut (WA)
- Whisper Grey (WG)



Top/Basin options

- White, Soft Grey or White Carrara Quartzstone™ top & White ceramic basin in 3" or 3/4" thickness
- Glossy White X-Stone top/basin
- Tempered glass top and ceramic basin
- Glossy or Matte White X-Stone flat counter top.

Package Dimensions

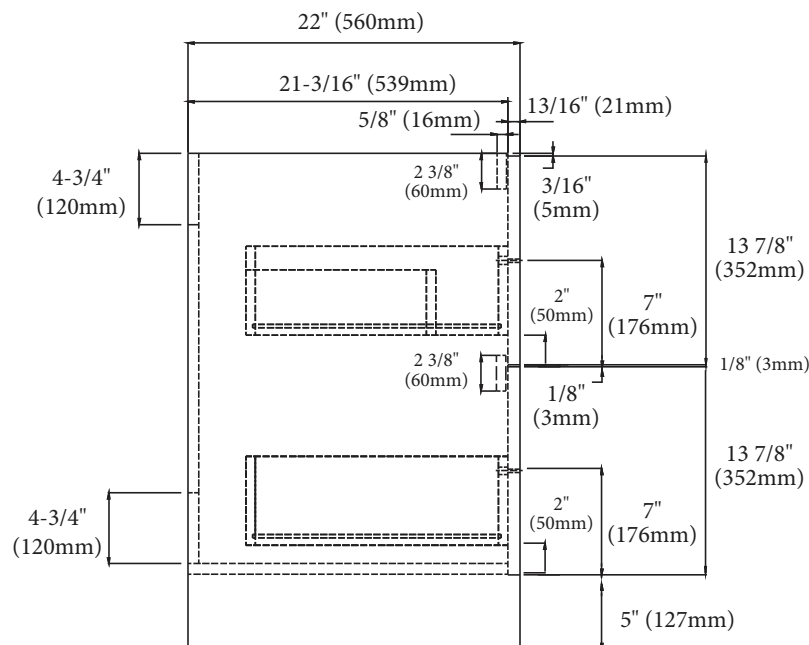
34" x 26" x 35"

Weight

105 lbs. / 48 kgs.



SIDE VIEW



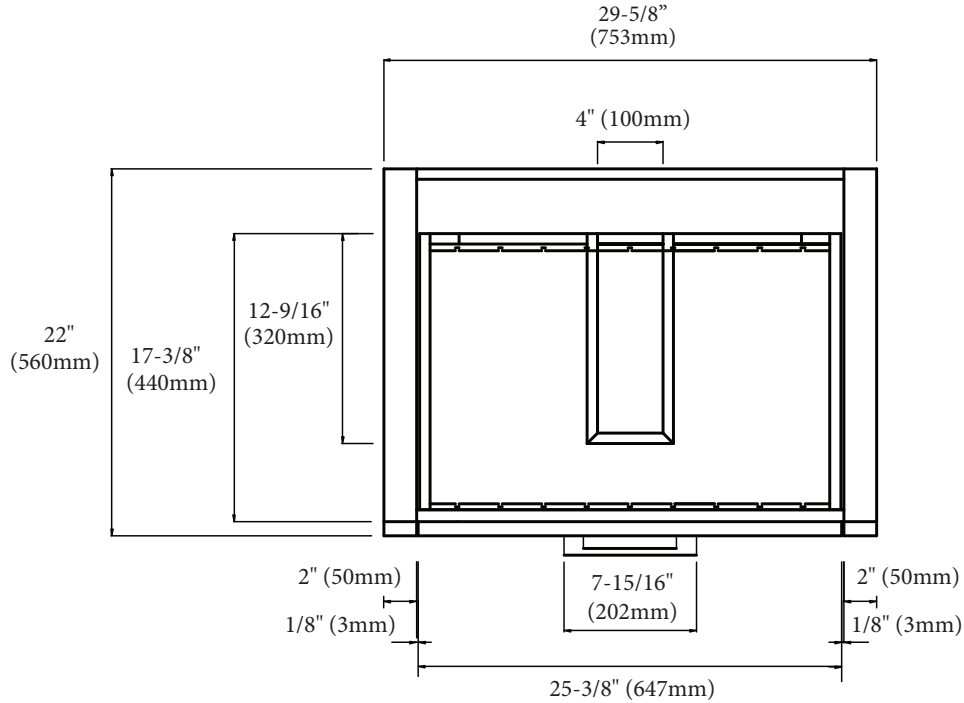
For clarification, please contact Madeli Customer Care at (800)-819-6988 or (305)-718-8817 Ext. 1

All dimensions are approximate and subject to standard tolerance. Specifications subject to change without prior notice.

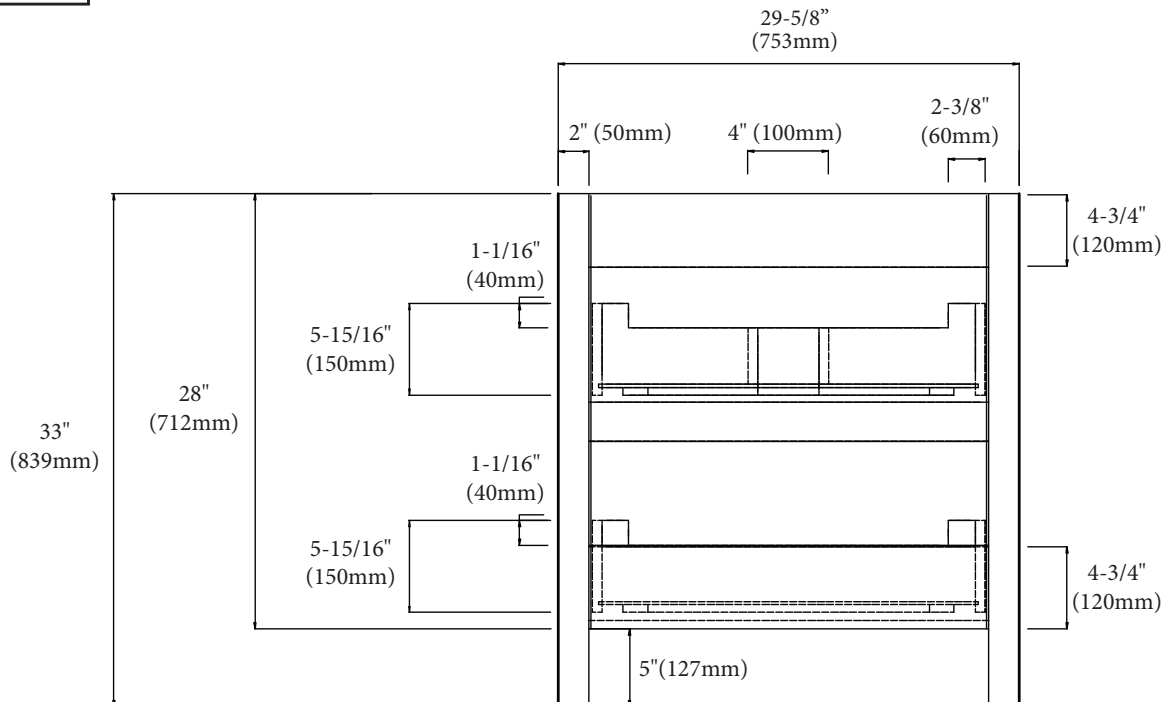
Retro - 30"

Specification & Installation Guide

TOP VIEW



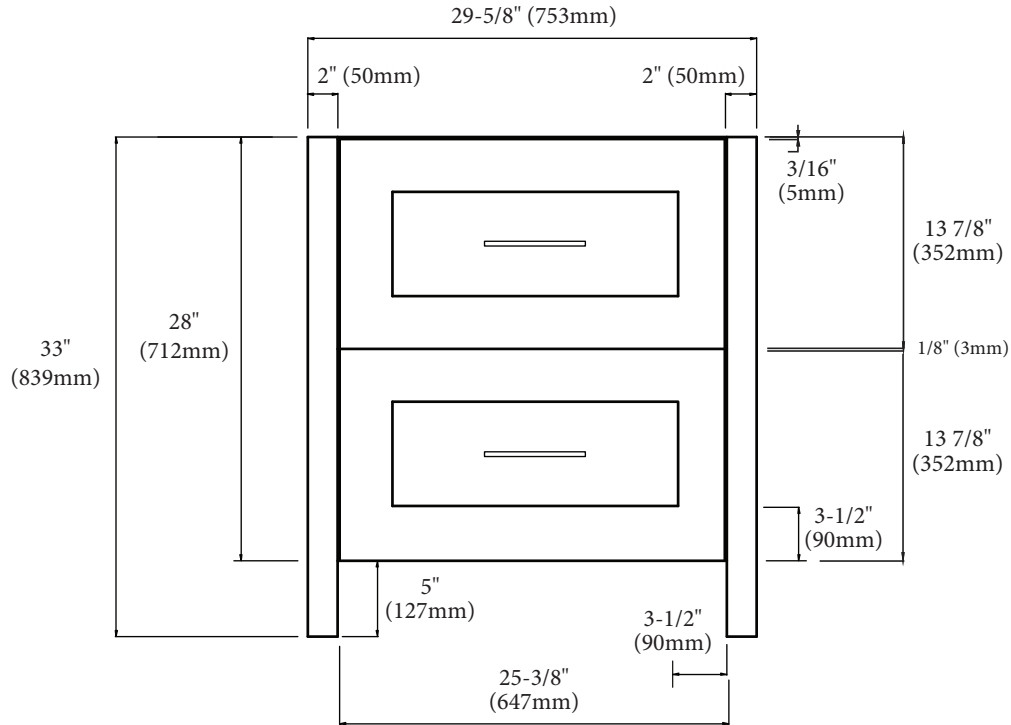
BACK VIEW



Retro - 30"

Specification & Installation Guide

FRONT VIEW



ROUGH-IN DIMENSIONS

