



# ASSEMBLING & INSTALLATION INSTRUCTIONS

The drawing shown may not exactly match the product enclosed.  
However, the installation instructions do apply to this product.

**76189 76193**

- ◆ **WARNING! SHUT POWER OFF AT FUSE OR CIRCUIT BREAKER.**
- ◆ **ATTENTION! COUPER LE COURANT AU FUSIBLE OU UN DISJONCTEUR.**

### ASSEMBLING THE FIXTURE (Fig.2)

1. Install the light bulbs(not included) in accordance with the fixture's specifications.  
**NOTE: DO NOT EXCEED THE SPECIFIED WATTAGE!**
2. Attach the shade(C) onto the fixture body(A), aligning the holes on it and lock it securely with hex nut(B). Raise the bracket(E) to the bottom of shade(C), aligning the end of bracket's hole with the bottom of shade's hole, lock it securely with the screws(D).

**\*\* If you not need assembly the fixture loop,  
\*\* Please pause and refer to Fig. 2.1.**

3. Take out the bottom loop of the canopy and take the loop of lamp body , then take the canopy to the lamp body, lock it with the lock washer and hex nut until tight.
4. Attach the lamp body to the ceiling, lock it securely with the balls.

### HANGING THE FIXTURE (Fig.1)

1. Shut off the power at the circuit breaker and remove old fixture from ceiling, including the old single bar. Carefully unpack new fixture and lay all the parts on a clear surface.
2. Thread the two mounting screws into the pre-drilled holes in the Mounting plate spaced the same distance apart as the holes in the canopy. Attach the Mounting plate to the Junction Box with the two Junction Box Screws as shown. The side of the Mounting plate marked "GND" must face to out. **The junction box is not included.**
3. By measuring, determine correct number of links needed for proper hanging height. Using proper chain pliers disconnect and discard remaining chain.
4. Lace the fixture wires through the chain.
5. Open the end link of the chain and hang the loop at the ceiling and fixture body. Close the link.
6. Feed the fixture wires through the loop of the canopy and pull until taut.
7. Slide canopy up flush to ceiling, lock it securely with the balls.

### CONNECTING THE WIRES (Fig.3)

1. Take the black wire from the ceiling junction box and the smooth wire leg from the fixture and twist bare ends together. Twist wire connector onto end of wire until snug.
2. Repeat same process with white junction box wire and ribbed wire leg of fixture wire.  
**NOTE:** Twist wires together in the same direction you twist the wire connector onto wires.
3. If your junction box has a grounding wire (green or bare copper), attach this wire and the bare copper wire from the fixture together as step 1.If junction box has no ground wire, attach the bare copper fixture wire to the green ground screw on the mounting plate.
4. Tuck these wire connections neatly into the ceiling outlet box and then raise the canopy all the way to the ceiling, lock it securely with the balls.

**Your installation is now complete. Return power to the junction box and test the fixture.**

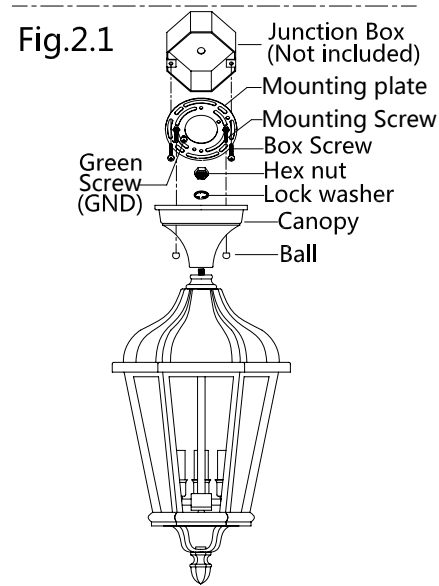
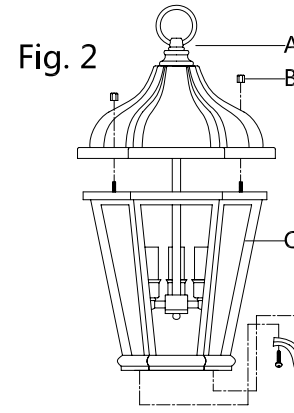


FIG.1

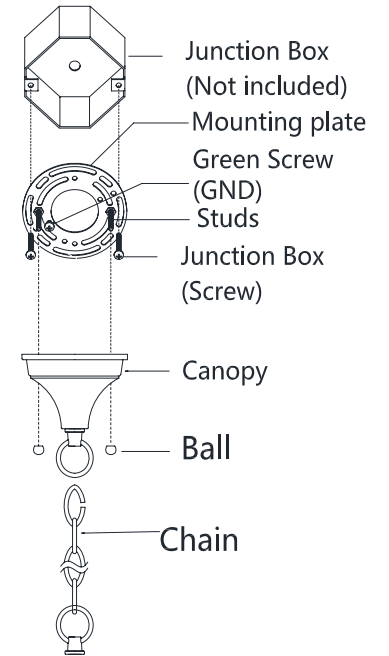
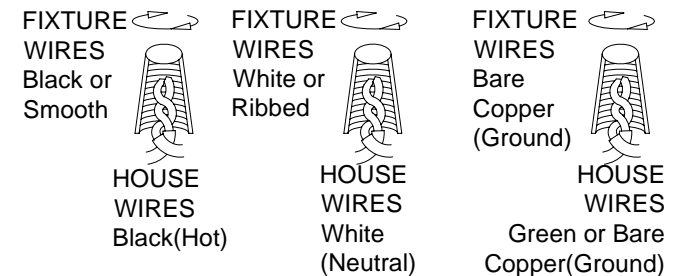


FIG.3



Thank you for purchasing a **LIVEX** product.  
Need assistance with parts or assembly? Please call customer service at: **800-761-8056**  
Or visit us online at: [WWW.LIVEXLIGHTING.COM](http://WWW.LIVEXLIGHTING.COM)