
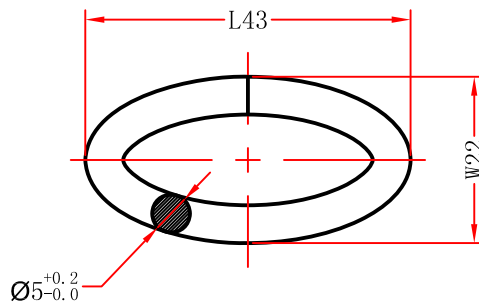
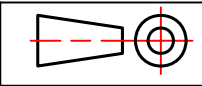


CHAIN: 5607-XX, L 3'

CHAIN RING: L40\*W22 DIA4.0 <sup>+0.2</sup>/<sub>-0.1</sub>

Hanging chain and its attachments must be able to withstand the total weight four times the lamp body, continuous test 72 hours


		LIVEX LIGHTING, INC. One Cory Road, Morristown, NJ 07960 Tel: 973-292-1777, Fax: 973-292-6222	
		<b>WARNING</b> THIS DRAWING IS PROPRIETARY TO LIVEX IMPORT AND IS PROTECTED UNDER THE COPYRIGHT AND/OR PATENT LAWS. ANY UNAUTHORIZED USE WILL SUBJECT YOU TO CRIMINAL AND CIVIL PENALTIES AND PROSECUTION TO THE FULL EXTENT OF THE LAW.	
STYLE:	chain ring	STANDARD:	UL/CUL/CSA
ITEM NUMBER:	5607-XX	FINISH:	
SCALE:	1:1	DRAWING:	Zhang Jianhua
ACTUAL SIZE:	ø * H W*H*E L*W*H	AUDITING:	Cheng Zhian
MATERIAL:	metal	SANCTION:	Huang
EDITION:	A/0	UNIT:	mm[inch]
		DATE:	2013/01/21

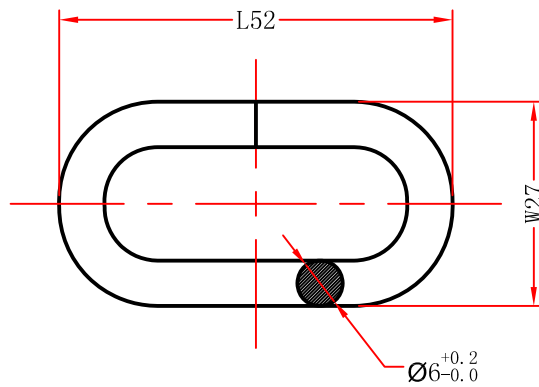
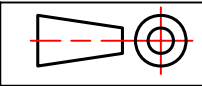


CHAIN: 5608-XX, L 3'

CHAIN RING: L43\*W22 DIA5.0 <sup>+0.2</sup>/<sub>-0.0</sub>

Hanging chain and its attachments must be able to withstand the total weight four times the lamp body, continuous test 72 hours


		LIVEX LIGHTING, INC. One Cory Road, Morristown, NJ 07960 Tel: 973-292-1777, Fax: 973-292-6222	
		<b>WARNING</b> THIS DRAWING IS PROPRIETARY TO LIVEX IMPORT AND IS PROTECTED UNDER THE COPYRIGHT AND/OR PATENT LAWS. ANY UNAUTHORIZED USE WILL SUBJECT YOU TO CRIMINAL AND CIVIL PENALTIES AND PROSECUTION TO THE FULL EXTENT OF THE LAW.	
STYLE:	chain ring	STANDARD:	UL/CUL/CSA
ITEM NUMBER:	5608-XX	FINISH:	
SCALE:	1:1	DRAWING:	Zhang Jianhua
ACTUAL SIZE:	ø • H W*H*E L*W*H	AUDITING:	Cheng Zhian
MATERIAL:	metal	SANCTION:	Huang
EDITION:	A/0	UNIT:	mm[in"]
		DATE:	2013/01/21



CHAIN: 5610-XX, L 12'

CHAIN RING: L52\*W27 DIA6.0  $\begin{matrix} +0.2 \\ -0.0 \end{matrix}$

Hanging chain and its attachments must be able to withstand the total weight four times the lamp body, continuous test 72 hours

		LIVEX LIGHTING, INC. One Cory Road, Morristown, NJ 07960 Tel: 973-292-1777, Fax: 973-292-6222	
		<b>WARNING</b> THIS DRAWING IS PROPRIETARY TO LIVEX IMPORT AND IS PROTECTED UNDER THE COPYRIGHT AND/OR PATENT LAWS. ANY UNAUTHORIZED USE WILL SUBJECT YOU TO CRIMINAL AND CIVIL PENALTIES AND PROSECUTION TO THE FULL EXTENT OF THE LAW.	
STYLE:	chain ring	STANDARD:	UL/CUL/CSA
ITEM NUMBER:	5610-XX	FINISH:	
SCALE:	1:1	DRAWING:	Zhang Jianhua
ACTUAL SIZE:	ø • H W*H*E L*W*H	AUDITING:	Cheng Zhian
MATERIAL:	metal	SANCTION:	Huang
EDITION:	A/0	UNIT:	mm[in"]
		DATE:	2013/01/21