

Luce Lavatory Item #5103

Features:

- Solid surface lavatory with overflow
- Vessel installation
- Faucet hole diameter is 1 3/8"
- European-size drain recommended(i.e. item #7100-16OF or 7100-12)
- Most standard American drains can also be used
- Material is heat, stain, scratch, chemical, and impact resistant
- Current cut-out template can be requested
- Can be installed to meet ADA compliance
- Meets and exceeds the following standards/codes:
 - ANSI Z124.3-2005
 - CMR 248 (Mass. Code of Approval)



Recommended Accessories:

- Item #5103B: Wall-mount wooden vanity with five drawers and one door
- Item #5103C: Wall-mount wooden vanity with two drawers

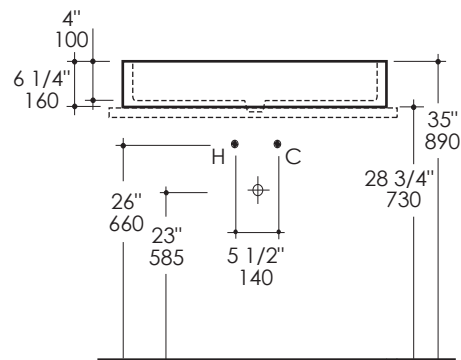
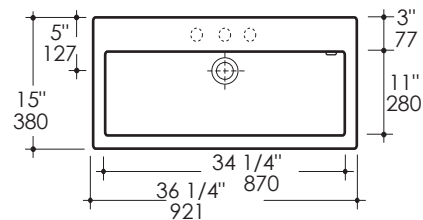
Product Specifications:

Finish Options:

- 001G - Gloss White
- 001M - Matte White

Faucet Hole Options:

- 00 - None
- 01 - One
- 02 - Two - center and right
- 03 - Three in 8" spread



Notes:

Drawings provided herein are meant to give the user an idea of the product and are not made to scale. The size in inches is rounded up to the nearest 1/16". Slight variances can often occur with porcelain and woodwork. Therefore, LACAVA will not be held responsible for any cutouts, countertops, or furniture made without the actual product or template from LACAVA.

Plumbing specifications are only a guideline and may need to be altered based on the application.

Product specifications are not binding to the manufacturer and can be changed without notice at any time. Please refer to your shipment for product final sizes.

LACAVA is committed to the highest level of customer service. Please feel free to contact us at 1-888-522-2823 (toll free) or by email at info@lacava.com for technical assistance or any general inquiries.

Rev. 05-24-2017