

# INSTALLATION INSTRUCTIONS

## FOR P5722-084-L/P5723-084-L/P5724-084-L

### For Wall Mount Fixture

**WARNING! SHUT POWER OFF AT FUSE OR CIRCUIT BREAKER.**

**AVERTISSEMENT ! COUPER LE COURANT AU NIVEAU DES FUSIBLES OU DO DISJONCTEUR**

#### PREPARATION

1. Shut off power at the fuse box or circuit breaker box. If necessary remove the old fixture and mounting hardware.
2. Carefully unpack your new fixture and lay out all the parts on a clear area. Take care not to lose any small parts necessary for installation.

#### MOUNTING THE FIXTURE (FIG. 1)

3. Use the "key holes" located on the mounting plate (B) as a template to mark the location of the plastic anchors (R) and pre-drill two holes
4. Install the plastic anchors (R) into the wall.
5. Secure mounting back plate (B) to junction box (A) (not included) using junction boxes screws (H) (Size: 8-32\*1/2"L). The side of the mounting back plate marked "GND" must face out.
6. Align the "key holes" on the mounting plate (B) to the plastic anchors (R) and secure with screws (Q).

#### CONNECTING THE WIRES (FIG. 2)

7. At this point, connect the electrical wires as shown in Fig. 2, making sure that all wire connectors are secured. If your outlet has a ground wire (green or bare copper), connect the fixture's ground wire to it. Otherwise, connect the fixture ground wire directly to the mounting plate (B) using the green screw provided. After wires are connected, tuck them carefully inside the junction box.
8. Align the fixture's canopy (D) over the mounting back plate (B) and secure with screws (C).

#### FINISHING THE INSTALLATION (FIG.1)

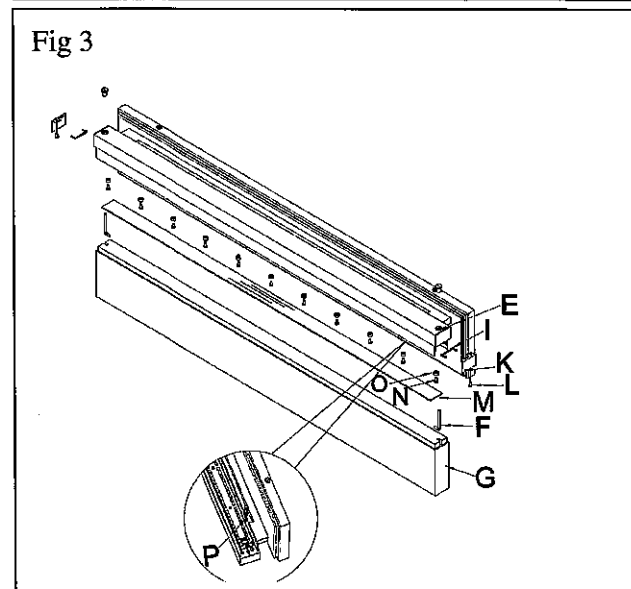
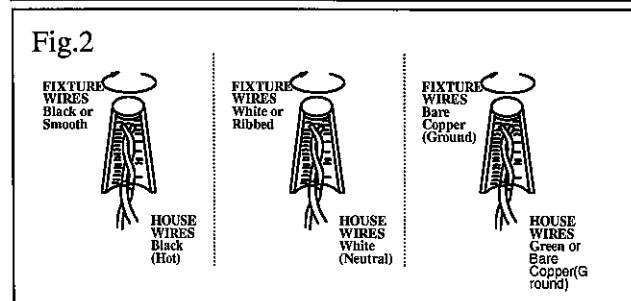
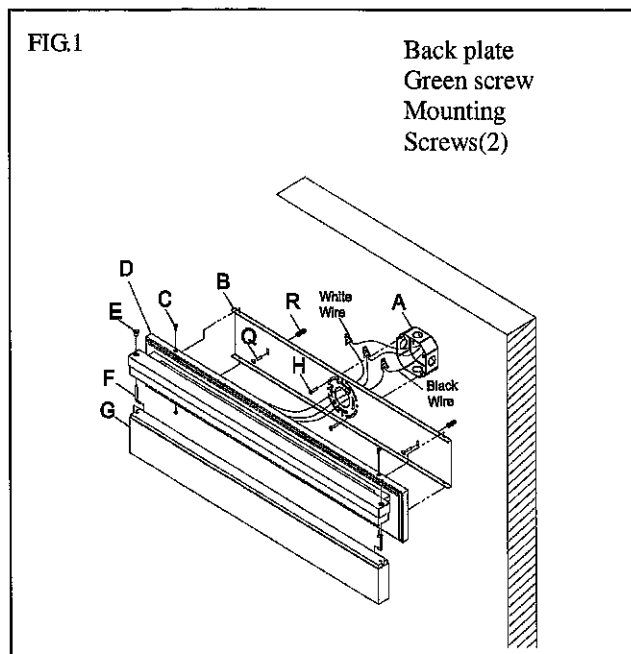
9. J-shape hooks (F) on the decorative part PC5722/3/4 (G), Align it with holes on fixture body and secure with screws (E).

**CAUTION /ATTENTION:** When handling the fixture, do not apply pressure to the LEDs. Hold the fixture by canopy (D). Besides, when handling shade PC5722/3/4 (G) with gloves attached. And if acrylic were dirty, use clean water to wash and make it dry.

#### Replacing LED module (Fig. 3)

The LED module can be replaced by a qualified electrician without cutting of wire and without damage to any decorative element to which the fixture is attached. See installation steps for more details (Fig 3.)

- a. Shut off power. Remove screws (E) and J-shape hooks to disconnect shade PC5722/3/4 (G).
- b. Remove screws (L) to disconnect cover (K) as well as bracket (I).
- c. Remove diffusers (M) and remove the wires from connector on LED module by lightly pressing on the release button located on the top of the wire connector.
- d. Carefully remove screws (N), washers (O) to disconnect the LED module from the heat sink
- e. Reverse steps a-d for installing the new LED module.
- f. Note: The LED module should be provided by a specified supplier.
- g. For better heat dissipation the LED module should be applied with thermal grease when re-lamping.



**IMPORTANT:** Fixture should be installed by a qualified electrician to ensure proper wiring and installation.  
**Dimmable with ELV and/or LED compatible wall dimmer switches**

I/M  
 FINAL  
 3/4/16

