

# INSTALLATION INSTRUCTIONS

For Model # P477-077 (12/25/2007)

**WARNING! SHUT POWER OFF AT FUSE OR CIRCUIT BREAKER.**

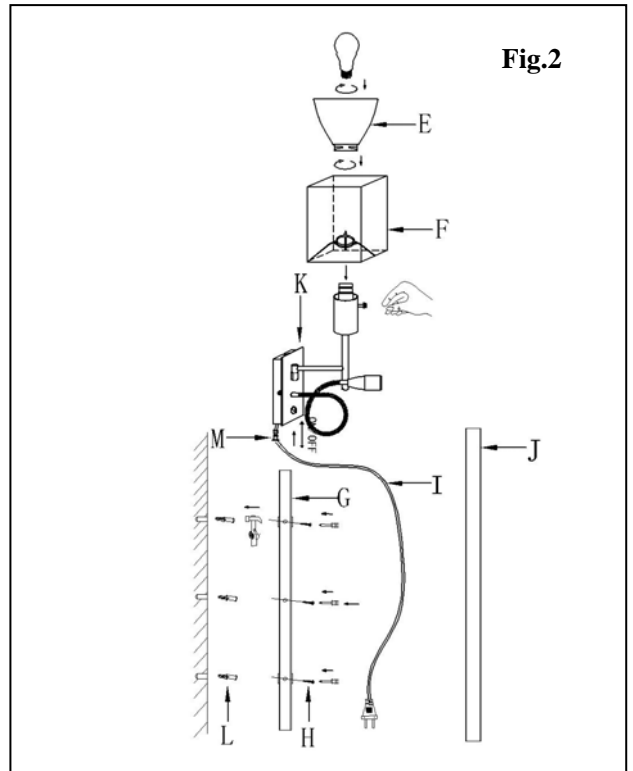
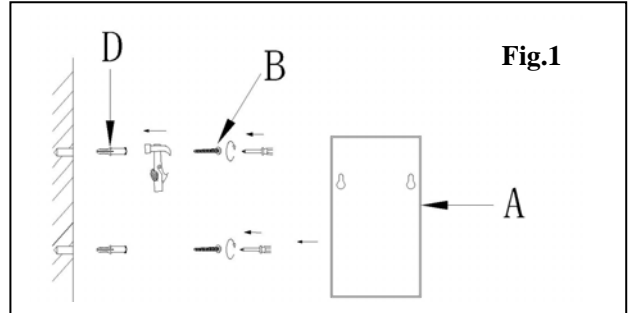
## WARNING

- Risk of shock, do not plug in the unit before assembly..
- Do not exceed the maximum wattage rating.

## MOUNTING THE LUMINAIRE, PLUG VERSION (Fig.1 & Fig. 2)

For hardware version see Fig. 3 & Fig. 4

1. Carefully unpack your new fixture and lay out all the parts on a clear area. Take care not to lose any small parts necessary for installation.
2. Drill two holes in the proper position on the wall according to the mounting location of the fixture.
3. **Secure the wall plate (K) to wall using the screws (B) and the plastic anchors (D).**
4. Place the shade (F) onto the socket, then screw the glass bowl (E) to the socket until tighten.
5. Install the bracket (G) using screws (H) and plastic anchors (L). Fix the cord (I) into the bracket (G), then snap the cord cover (J) into the bracket (G) tightly.
6. Install the bulb into socket in accordance with the fixture's specifications. **(DO NOT EXCEED THE MAXIMUM WATTAGE RATING!)**



## IMPORTANT SAFETY INSTRUCTIONS

1. This portable lamp has a polarized plug (one blade is wider than the other) as a safety feature to reduce the risk of electric shock. This plug will fit in a polarized outlet only one way. If the plug does not fit fully in the outlet, reverse the plug. If it still does not fit, contact a qualified electrician. Never use with an extension cord unless plug can be fully inserted. Do not alter the plug.
2. The lamp uses 3-way switch on socket. Please use Med. Base, 3-way, **30/70/100W** bulb. The lamp also uses 1-3W LED bulb and the on/off switch is on the face plate. Do not look directly at lighted LED lamp.

## MOUNTING THE FIXTURE, HARDWARE VERSION

(Fig. 3 & Fig. 4)

1. Shut off power at the circuit breaker and remove old fixture from wall, including the crossbar.
2. Remove the cord and plug by disconnecting the wire nuts to the cord. **(CAUTION: CAN NOT GO BACK TO PLUG VERSION ONCE THE CORD AND PLUG ARE CUT OFF)**
3. Remove the mounting plate for portable version (Fig 1.A)
4. Secure the mounting bracket (A) to the Outlet Box using the screws (B). The side of the mounting bracket marked "GND" must face out (Fig.3).

### CONNECTING THE WIRES (Fig. 5)

5. Connect the electrical wires as shown in Fig.5, making sure that all wire connectors are secured. If your outlet has a ground wire (green or bare copper), connect the fixture's Ground Wire to it. Otherwise, connect the fixture's Ground Wire directly to the mounting bracket by using the Green Screw provided.

### FINISHING THE INSTALLATION (Fig. 4)

6. Place wall plate (K) over the mounting bracket (A) then secure them tightly with two screws (C) on both sides of wall plate.
7. Insert the filler plug (M) into the hole on the bottom of the wall plate (K).
8. Install the bulb into socket in accordance with the fixture's specifications. **(DO NOT EXCEED THE MAXIMUM WATTAGE RATING!)**

Your installation is now complete. Return power to the outlet box and test the fixture.

