

# INSTALLATION INSTRUCTIONS FOR P1775-655-L P1776-655-L、 P1777-655-L

For LED Wall

READ AND SAVE THESE INSTRUCTIONS

**WARNING! SHUT POWER OFF AT FUSE OR CIRCUIT BREAKER**  
**AVERTISSEMENT! COUPER LE COURANT AU NIVEAU DES FUSIBLES OU DO DISJONCTEU**

## ASSEMBLING THE FIXTURE (Fig.1)

- 1 Shut off power at the fuse box or circuit breaker. Remove the old fixture including the mounting hardware.
- 2 Carefully remove the fixture from the carton and check that all parts are included as show in Figure 1. Unscrew (G) to remove the mounting plate (A) from the canopy (F).
- 3 Position mounting plate(A) on the wall ,and mark the location of the dry wall anchors(W).Pre-drill the holes for the dry wall anchors ,Insert the dry wall anchors(W) into the wall ,Attach the mounting plate (A) to the junction box using the mounting screws(B,size 8#-32N 1/2").The side of the mounting plate marked "GND" must face out.Place the wood screw (T) through the slot hole into the dry wall anchor(W) to secure the mounting plate (A) as shown in Fig. 1.

## CONNECTING THE WIRES (Fig. 2)

- 4 Pass the black/white and bare copper wires from the hole of the mounting plate (A).Connect the electrical wire as shown in figure 2,making sure that all wire connectors are secured. If your junction box has a ground wire (green or bare copper),connect the ground wire from the fixture to it. Otherwise connect fixture ground wire (C) directly to the mounting plate using the green screw (D)provided. Tuck the wire connections neatly into the wall junction box as you hold the canopy towards the wall.

## FINISHING THE INSTALLATION (Fig.1)

- 5 Fix the canopy(F) into the mounting plate (A) with screw(G).

Your installation is now complete. Return power to the junction box and test the fixture.

**CAUTION/ATTENTION:** When handling the fixture,do not apply pressure to the LEDs. Hold the fixture by the frame only.

**IMPORTANT:** Fixture should be installed by a qualified electrician to ensure proper wiring and installation. Dimmable with ELV and/or LED compatible wall dimmer switches.

Fig.1

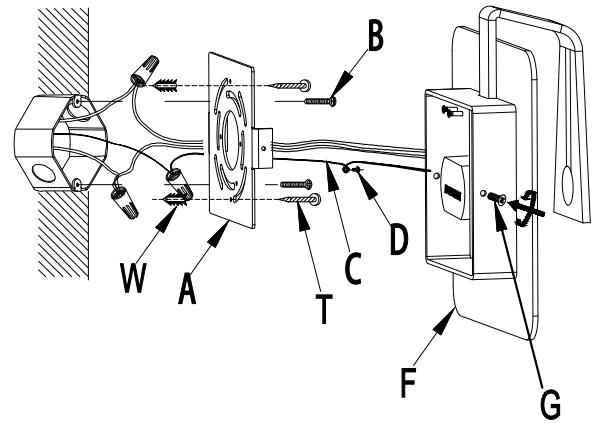
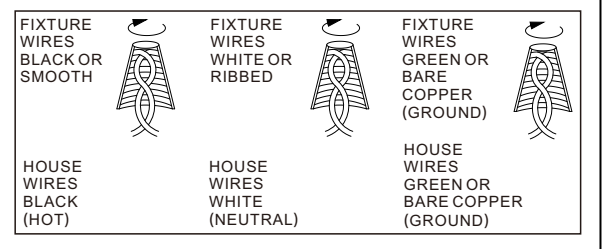


Fig.2



INSTALLATION INSTRUCTIONS FOR P1775-655-L  
P1776-655-L、 P1777-655-L

For LED Wall

READ AND SAVE THESE INSTRUCTIONS

**WARNING! SHUT POWER OFF AT FUSE OR CIRCUIT BREAKER**  
**AVERTISSEMENT! COUPER LE COURANT AU NIVEAU DES FUSIBLES OU DO DISJONCTEU**

LED module replace(Fig.3)

Shut off power before replacing

- 1: There have LED module in the lamp arm (I) with this fixture, if it does no work, it is need to replace the complete lamp arm (I) with module together. Make sure the power is off before you replace
- 2: Twist-off the screw (G) and disconnect the wires and save the wire nuts, take the fixture down from the wall carefully;
- 3: Twist-off the screw (H) with screw driver. Save these parts for subsequent service.
- 5: Pull-out the wire with arm together from the hole of the body, replace a new lamp arm (I);
- 6: Repeat 5-1 to assembly the fixture

Your replace is now complete, return power to the junction box and test the fixture

