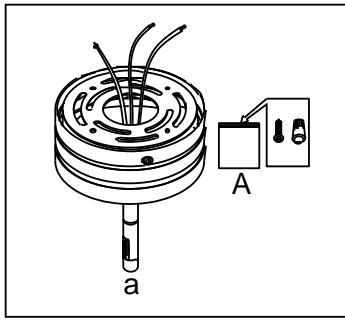
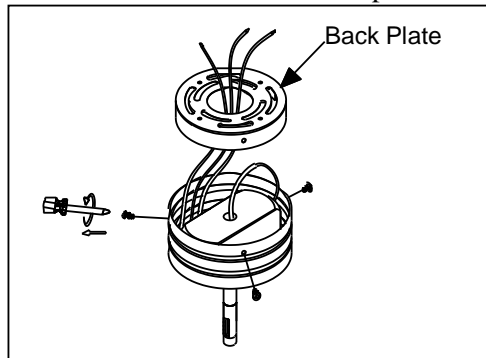


Install the Transformer GKTF01-084/GKTF01-467/GKTF02-1-084/GKTF02-1-467

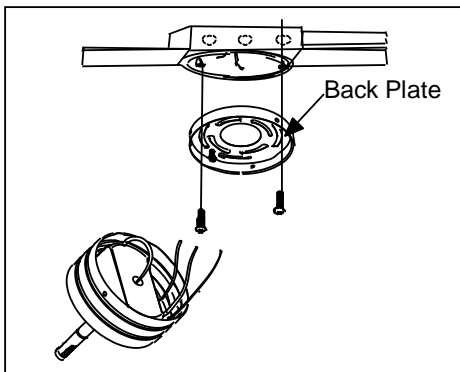
Step 1. Locate transformer(a) and transformer mounting hardware package in box(A) which contains 2pcs Screws and 3pcs wire nuts.



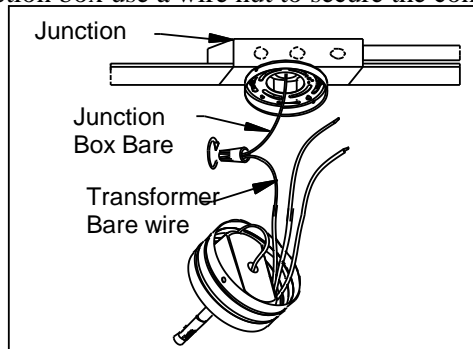
Step 2. Remove and set aside the 3 screws from the transformer to release the back plate.



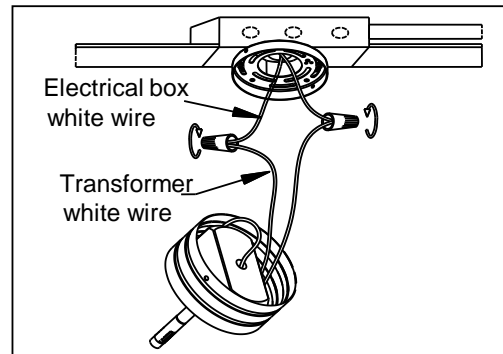
Step 3. Line up the back plate with the two screw holes from the junction box and secure the two screws supplied with the junction box.



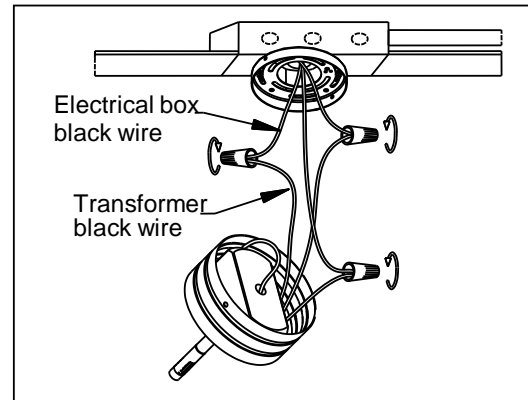
Step 4. Connect the bare (ground) wire for the transformer to the bare or green ground wire from the junction box use a wire nut to secure the connection.



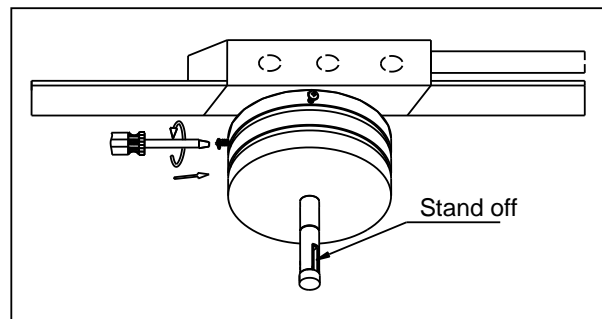
Step 4. Connect the white (neutral) wire from the transformer to the white wire from the junction box . use a wire nut to secure the connection.



Step 5. Connect the black (hot) wire from the transformer to the black wire from the junction box use a wire nut to secure the connection.



Step 6. Tuck the wire nut connections into the electrical junction box. Slide the transformer housing up until the holes line up to the back plate, make sure all wires are tucked in. secure it in place with the 3 screws previously removed.
Note: MAKE SURE THAT THE STAND OFF IS IN ALIGNMENT WITH THE RAIL.



IMPORTANT: FIXTURE SHOULD BE INSTALLED BY A QUALIFIED ELECTRICIAN TO ENSURE PROPER WIRING AND INSTALLATION.

LA-1227E

