

### Features

- 27-inch minimum base cabinet width.
- Single bowl.
- 9-inch depth.
- Single faucet hole.
- Rear drain increases workspace in the sink and storage space underneath.
- SilentShield® sound-absorption technology offers quieter performance.
- Includes installation hardware and bottom sink rack.

### Material

- Handcrafted from 18-gauge stainless steel.

### Installation

- Top-mount or under-mount.

### Recommended Products/Accessories

- K-8801 Sink Strainer
- K-8799 Sink Strainer

### Optional Products/Accessories

- K-6429 Utility Rack
- K-6667 Wood Cutting Board
- 1177161 Installation Clip Kit

### Included Components

Product consists of:

- K-6645 Sink Rack
- 1130570 Hardware Kit, Self-Rimming

Additional Components:

- K-6645 Sink Rack

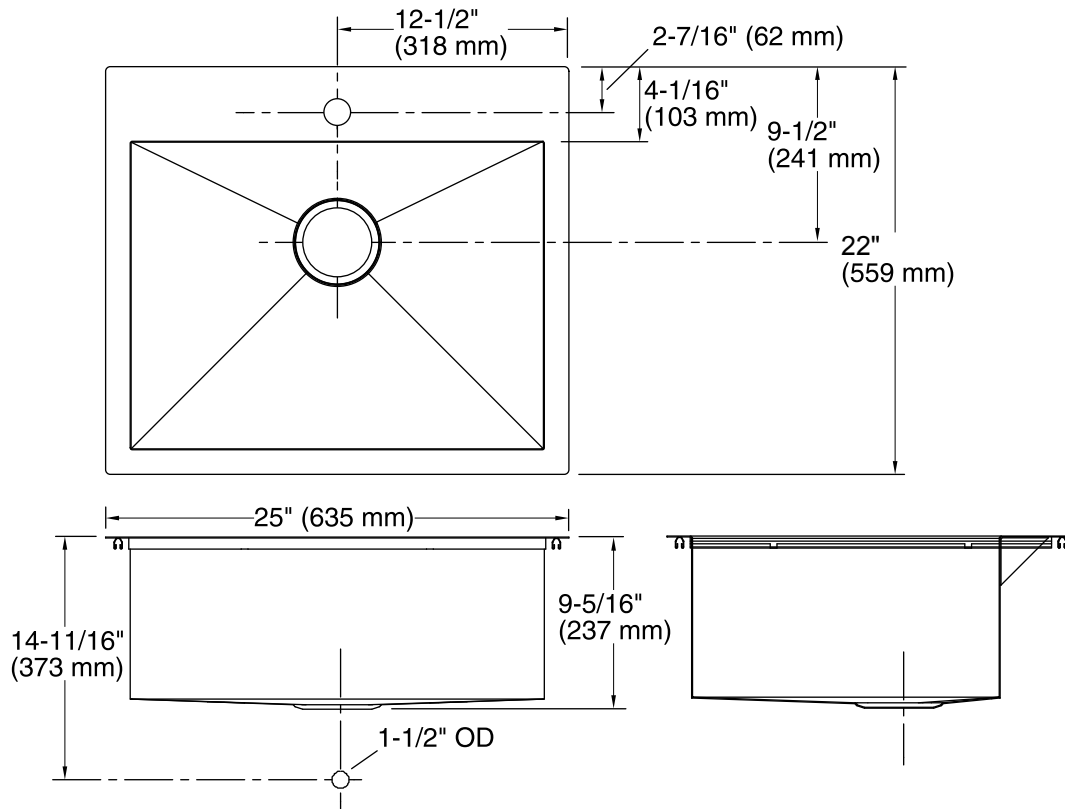


### Codes/Standards

ASME A112.19.3/CSA B45.4

### Lifetime Limited Warranty for KOHLER® Stainless Steel Sinks

See website for detailed warranty information.



## Technical Information

All product dimensions are nominal.

Bowl configuration:	Single
Installation:	Top-mount, Under-mount
Min. base cabinet width:	27" (686 mm)
Bowl area (Only):	Length: 22-1/4" (565 mm) Width: 16-9/16" (421 mm) Water depth: 9" (229 mm)
Number of deck holes:	1
Faucet hole(s):	1-7/16" (37 mm)
Drain hole:	3-7/8" (98 mm)
Template:	1130822-7, required, included

## Notes

Install this product according to the installation instructions.  
 Allow 3/4" (19 mm) clearance beyond the back of the bowl for the wood cutting board (optional accessory).