

Features

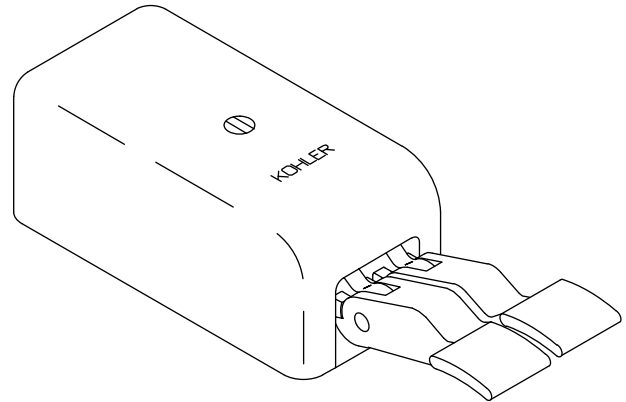
- Brass construction
- 3/8" NPT inside threaded inlets
- Self-closing mixing valve
- Machined aluminum finish on pedals
- Intended for use with cold, hot, or tempered water
- Floor-mount
- Loose key stops

Codes/Standards Applicable

Specified model meets or exceeds the following:

- ASME A112.18.1/CSA B125.1

**DOUBLE FOOT CONTROL
K-13808**



Colors/Finishes

- CP: Polished Chrome

Specified Model

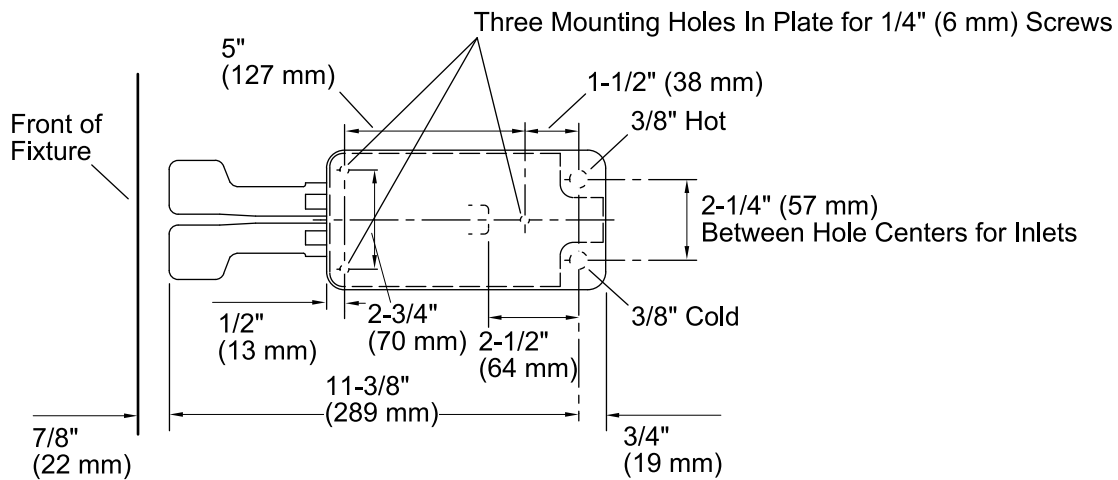
Model	Description	Colors/Finishes
K-13808	Double foot control	<input type="checkbox"/> CP

Product Specification

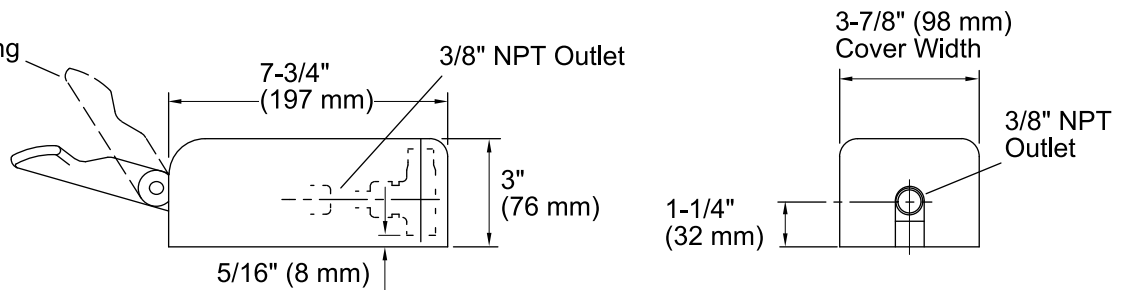
Floor-mount double foot control shall be of brass construction. Product shall feature a self-closing mixing valve and machined aluminum finish on pedals. Product shall feature loose key stops and 3/8" NPT inside threaded inlets. Product is intended for cold, hot, or tempered water. Double foot control shall be Kohler Model K-13808-CP.

Installation Notes

Install this product according to the installation guide.



Pedal in Raised Position for Cleaning



Product Diagram