

Features

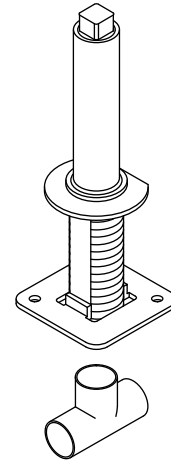
- Brass construction
- Bath- or deck-mount

Codes/Standards Applicable

Specified model meets or exceeds the following:

- ASME A112.18.1/CSA B125.1

**BATH FILLER SPOUT SHANK
K-411-K**



Colors/Finishes

- NA: None applicable

Specified Model:

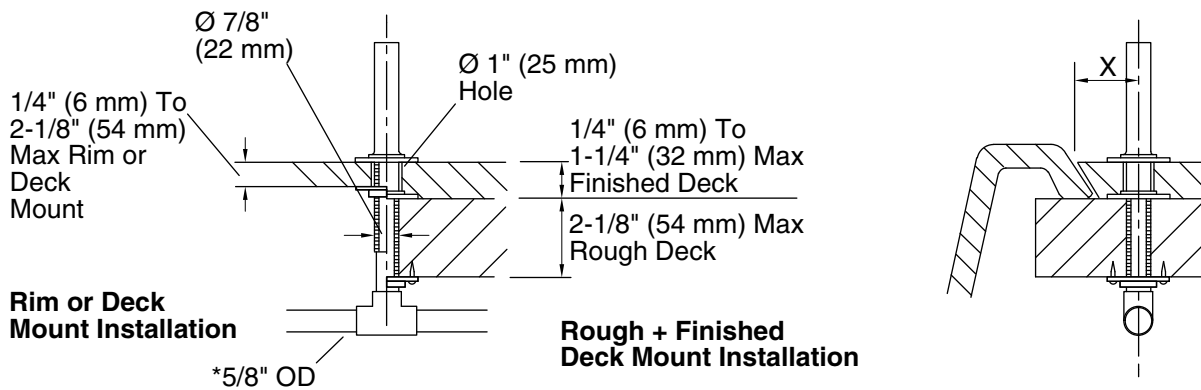
Model	Description	Color/Finishes
K-411-K	Bath filler spout shank	<input type="checkbox"/> NA

Product Specification

Bath- or deck-mount bath filler spout shank shall be of brass construction. Bath filler spout shank shall be Kohler Model K-411-K-NA.

Installation Notes

Install this product according to the installation guide.



Product Diagram