

KALLISTA®

Contemporary Multi-Function Handshower with Hose

FEATURES

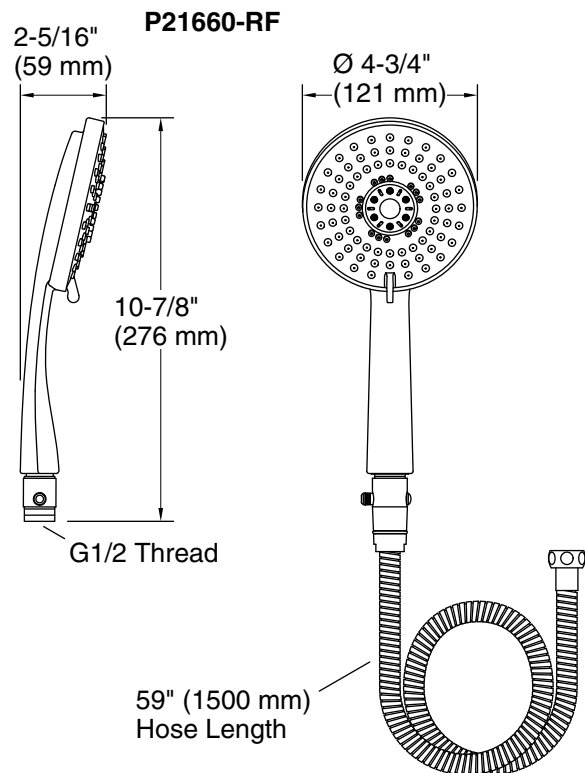
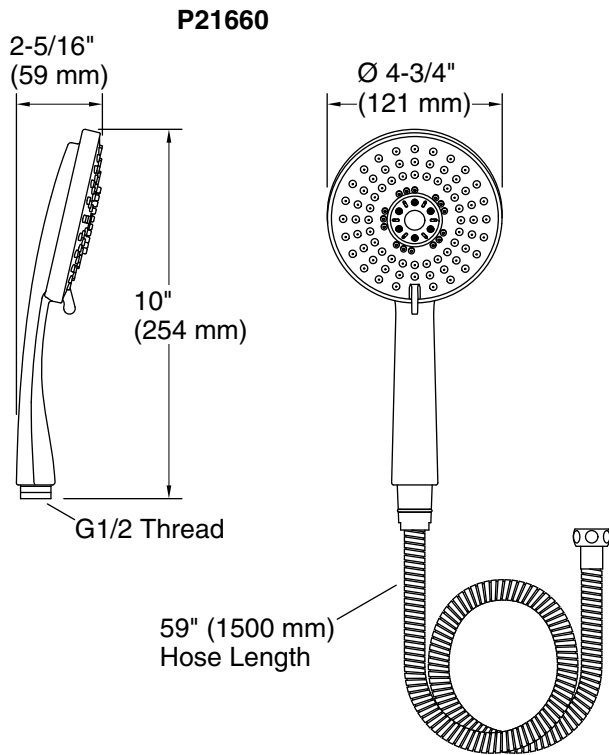
- Sprayface resists hard water build-up and is easy to clean
- 1.75 gal/min (6.6 l/min) flow rate
- Three spray options available with a simple turn (wide coverage spray, rhythmic pulse spray, and soft aerated spray)
- 59" (1499 mm) hose included
- Complements the Kallista contemporary collections

CODES/STANDARDS APPLICABLE

Specified model meets or exceeds the following:

- ASME A112.18.1/CSA B125.1
- EPA Watersense® (Pending)
- ADA (P21660-RF model)
- ICC/ANSI A117.1

P21660



SPECIFIED MODEL

Model	Description	Finishes					
P21660-00	Contemporary Multi-Function Handshower with Hose	<input type="checkbox"/> CP Polished Chrome	<input type="checkbox"/> AD Nickel Silver	<input type="checkbox"/> AG Brushed Nickel	<input type="checkbox"/> LB Bronze	<input type="checkbox"/> GN Gunmetal	<input type="checkbox"/> W7 Black Nickel
P21660-RF	Contemporary Multi-Function ADA Handshower with Hose	<input type="checkbox"/> CP Polished Chrome					
Recommended Accessories							
P21661-00	Contemporary Wall Supply Elbow	<input type="checkbox"/> CP Polished Chrome	<input type="checkbox"/> AD Nickel Silver	<input type="checkbox"/> AG Brushed Nickel	<input type="checkbox"/> LB Bronze	<input type="checkbox"/> GN Gunmetal	<input type="checkbox"/> W7 Black Nickel
P24453-00	Contemporary Fixed Wall Bracket	<input type="checkbox"/> CP Polished Chrome	<input type="checkbox"/> AD Nickel Silver	<input type="checkbox"/> AG Brushed Nickel	<input type="checkbox"/> LB Bronze	<input type="checkbox"/> GN Gunmetal	<input type="checkbox"/> W7 Black Nickel
P21663-00	Contemporary Deck-Mount Handshower Mounting Trim	<input type="checkbox"/> CP Polished Chrome	<input type="checkbox"/> AD Nickel Silver	<input type="checkbox"/> AG Brushed Nickel	<input type="checkbox"/> LB Bronze	<input type="checkbox"/> GN Gunmetal	<input type="checkbox"/> W7 Black Nickel

We reserve the right to make revisions without notice in the design of products or in packaging unless this right has specifically been waived at the time the order is accepted.