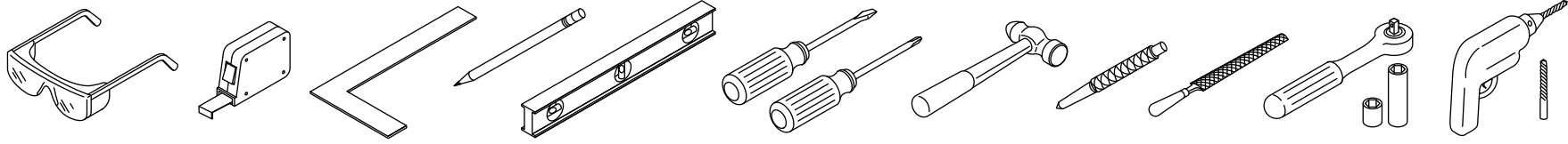


KALLISTA®

Installation Guide



Plus:
 • 2x6 Backing Material
 • Fasteners and/or bolts, washers

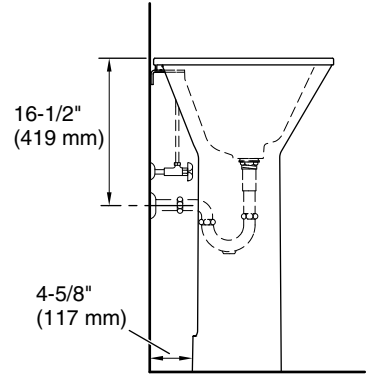
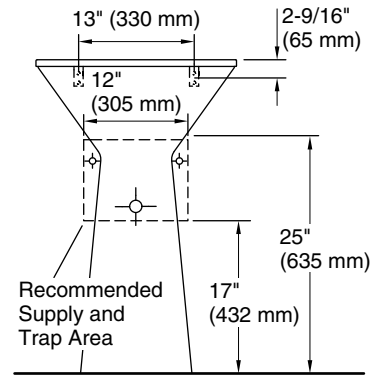
Record your model number below for future reference:

CAUTION: Risk of personal injury.
 Product can break, chip, and cause injury if handled carelessly. Get help lifting the lavatory.

Important Information
 Instructions are for installation to wood frame construction; for other installations, use bracing and fasteners of sufficient size and strength.

Rough-In
 The bracket holes are 5/16" (8 mm) in diameter. Make sure the fasteners will fit through these holes.

1 Install the water supplies and drain pipe. The supply stops, when fully open, should not contact the pedestal.



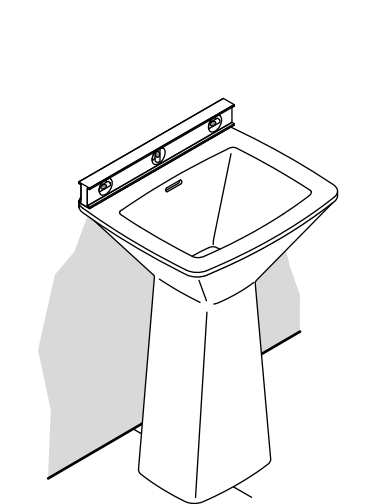
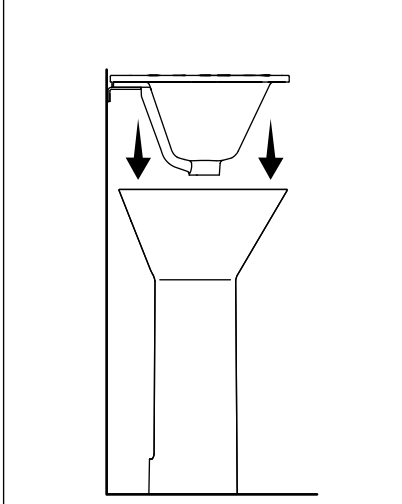
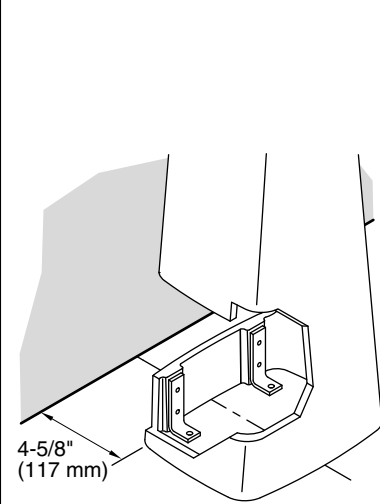
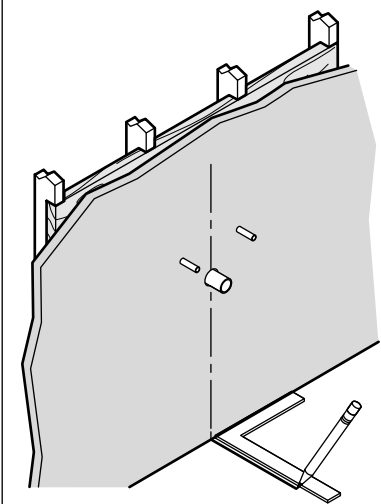
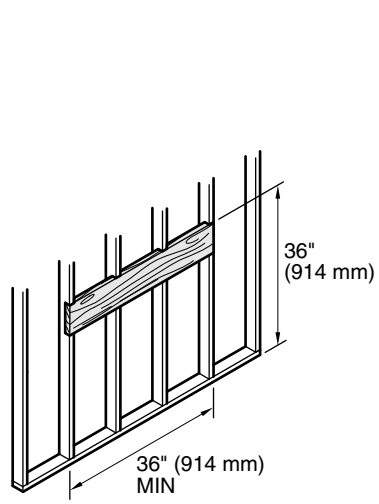
2 Install 2x6 backing behind the finished wall.

3 Mark the centerline on the floor.

4 Center the pedestal on the centerline approximately 4-5/8" (117 mm) from the finished wall.

5 Set the lavatory on the pedestal with the brackets against the wall.

6 Verify the lavatory is level and evenly overhanging the pedestal. If needed, reposition the pedestal.



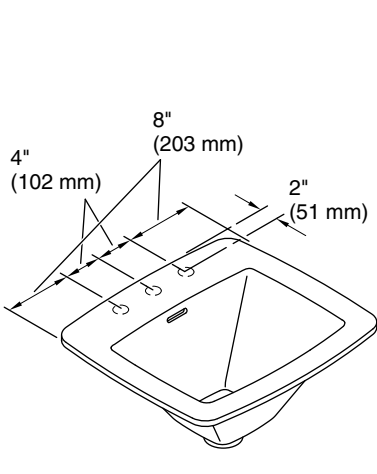
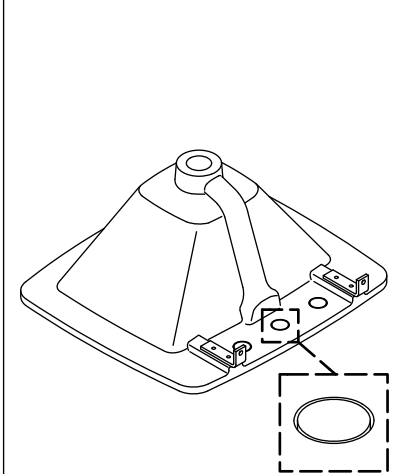
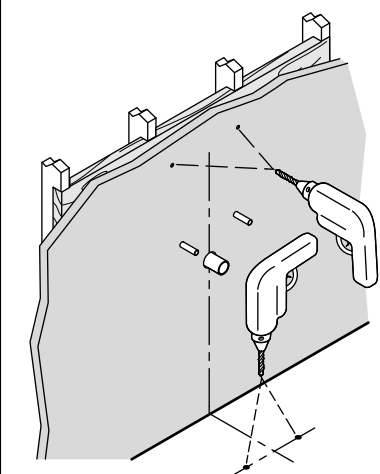
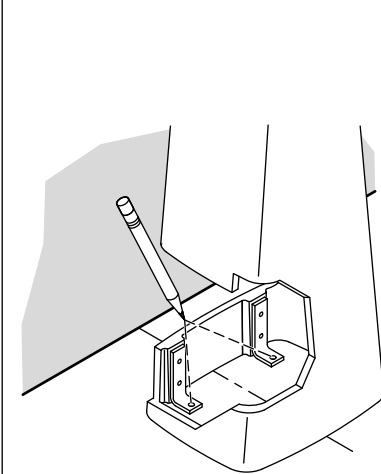
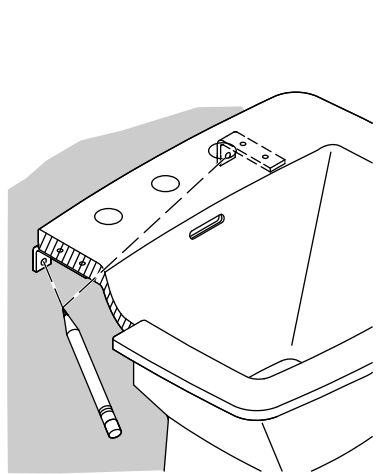
7 Mark the two bracket hole locations on the finished wall.

8 Mark the two holes on the floor through the opening in the pedestal.

9 Set the lavatory and pedestal aside. Drill holes sized for the fasteners at the four marked locations.

10 Note the location of the partially drilled faucet holes on the underside of the lavatory.

11 Measure and mark the center of the holes on the top of the lavatory.



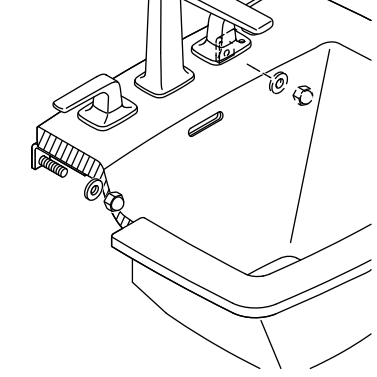
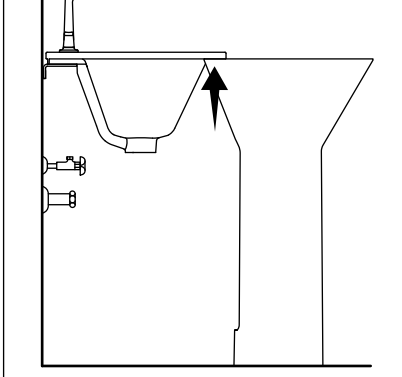
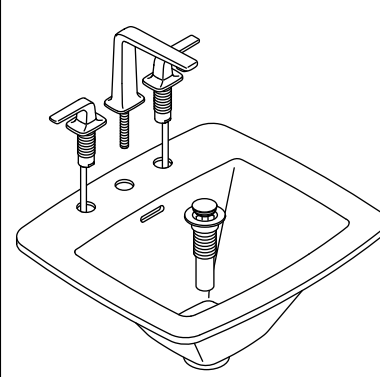
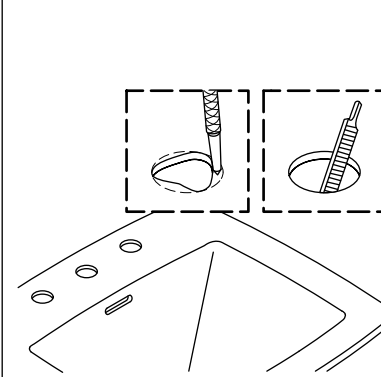
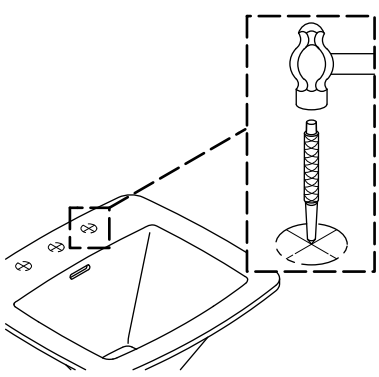
12 On the top of the lavatory, place a punch in the center of the marked hole. Gently tap the punch with a hammer.

13 Use the punch and a file to enlarge the hole as needed.

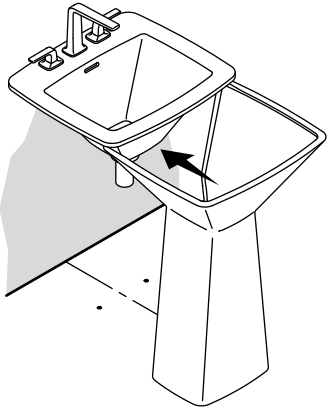
14 Install the faucet and drain to the lavatory according to the manufacturer's instructions.

15 Position lavatory in the installation location with the pedestal under the front edge for support.

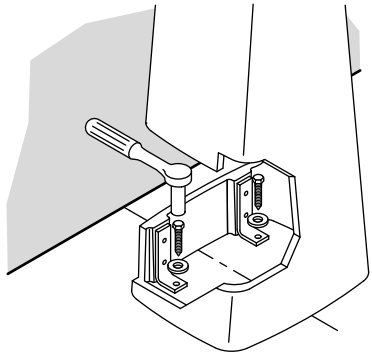
16 Secure the lavatory to the wall using appropriate bolts and washers. **Do not overtighten!**



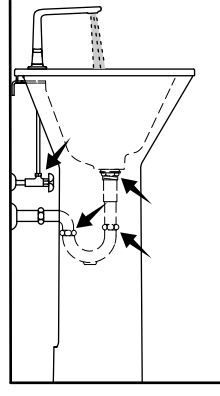
17 Move the pedestal under the lavatory, aligning the bracket holes with the holes in the floor.



18 From behind the pedestal, secure to the floor with appropriate bolts and washers. **Do not overtighten!**



19 Complete the connections. Turn on the water. Check for leaks.



FIVE-YEAR LIMITED WARRANTY

All Kallista products carry Kallista's five-year limited warranty unless otherwise noted.*

Kallista products are warranted to be free of defects in material and workmanship for five years from the date of installation.

Kallista will, at its election, repair, replace or make appropriate adjustment where Kallista inspection discloses any such defects occurring in normal usage within five (5) years after installation.

Kallista is not responsible for removal or installation costs.

Damages due to improper handling, installation or maintenance are not considered manufacturing defects and are not covered by this warranty. This warranty is valid for the original consumer purchaser only.

To obtain warranty service, contact your Kallista Authorized Showroom.

Products must be maintained and cleaned in accordance with the care and cleaning instructions provided by Kallista. Improper care or cleaning, including damage from the use of abrasive chemicals, will void this warranty. Gloss reduction, scratching, staining and alkaline etching of finishes over time due to use, cleaning practices or water or atmospheric conditions, are not manufacturing defects but are indicative of normal wear and tear. Use of in-tank toilet cleaners will void the warranty.

Implied warranties including that of merchantability and fitness for a particular purpose are expressly limited in duration to the duration of this warranty. Kallista and/or seller disclaims any liability for special, incidental, or consequential damages.

Some states/provinces do not allow limitations on how long an implied warranty lasts, or the exclusion or limitation of special, incidental or consequential damages, so these limitations and exclusions may not apply to you. This warranty gives you specific legal rights. You may also have other rights which vary from state/province to state/province.

This is Kallista's exclusive written warranty.

* Kallista's Hampstead and Stafford vitreous products, stainless steel accessories, and wooden accessories carry a one-year Limited Warranty.

Questions? Problems? For additional assistance, please contact KALLISTA's Customer Service Department at 1-888-4-KALLISTA (1-888-452-5547) or kallista.com.