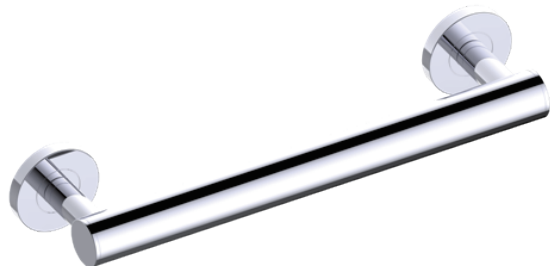




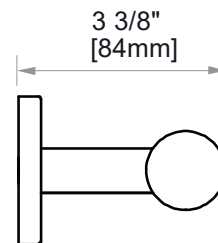
ADA Compliant



9100 SERIES

(1.5"/35mm)

8289118-35mm



PRODUCT NAME: GRAB BAR

SIZE: 18"

PRODUCT CODE: 8289118-35mm

MATERIAL: All-brass construction

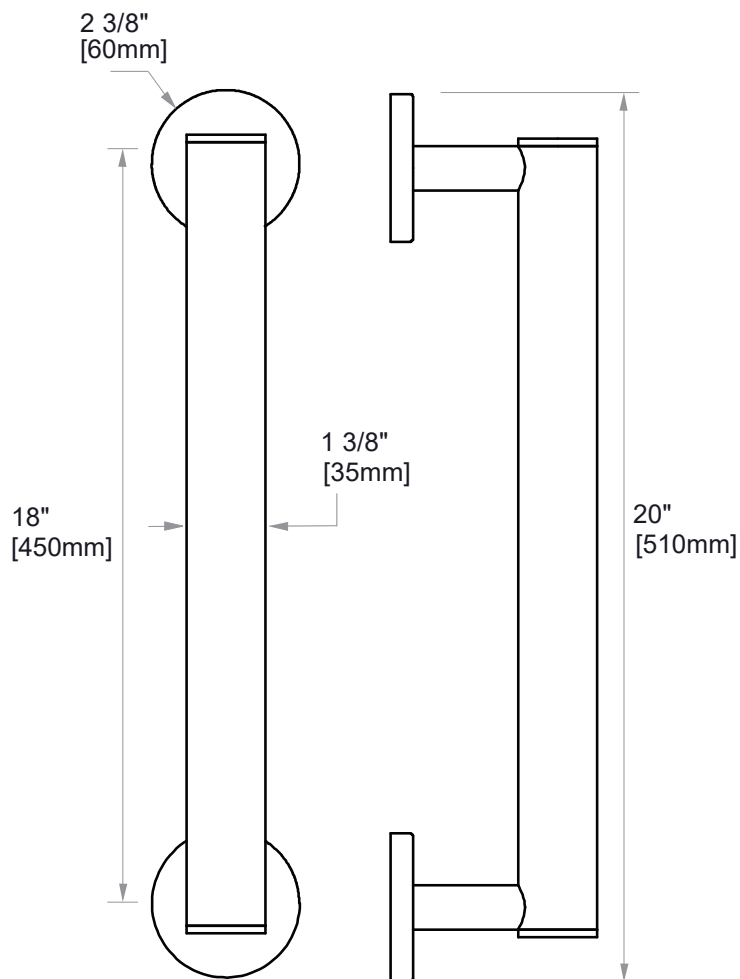
STOCKED FINISHES:

- Polished Chrome (99)
- Brushed Nickel (81)
- Polished Nickel (68)

SPECIAL FINISHES AVAILABLE: 26 options available. Please see our website for full list samples

WARRANTY:

Lifetime Limited (Residential Use)
One Year (Commercial Use)



NOTE: Dimensions and specifications are subject to change without notice.